

CONTENTS

ENGINE

Cylinder	B2
Crankshaft, Piston	B3
Valve	B4
Air Shroud, Fan	B5
Oil Pump	B6
Intake	B7
Carburetor	B8 ~ B9
Exhaust	B10
Crankcase	B11 ~ B13
Starter Clutch	B14
Clutch	B15 ~ C2
Transmission	C3

Flasher Light	D8
Meter	D10
Headlight	D11
Taillight	D12
Handle Switch, Lever	D13
Electrical 1	D14 ~ D15
Electrical 2	E2

INDEX

Numerical Index	M1 ~ M3
-----------------------	---------

CHASSIS

Frame	C4
Fender	C5
Side Cover	C6
Rear Arm, Suspension	C7
Steering	C8 ~ C9
Fuel Tank	C10
Seat	C11 ~ C12
Front Wheel	C13 ~ C14
Rear Wheel	C15
Steering Handle, Cable	D2
Stand, Footrest	D3 ~ D4
Leg Shield	D5
Cowling 1	D6
Generator	D7
Starting Motor	D8

YAMAHA



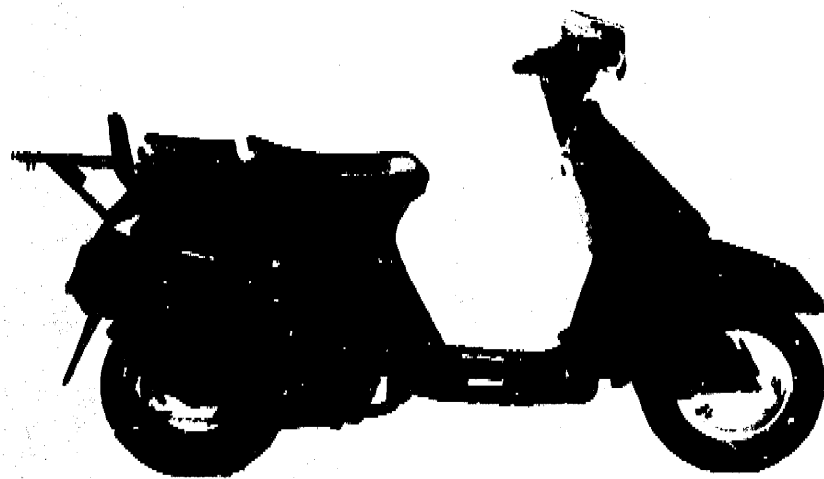
**PARTS
CATALOGUE**

XC125'90 (3KR1) SWITZERLAND

203KR-301E2

YAMAHA
GENUINE
PARTS & ACCESSORIES

A2



A3

FOREWORD

This Parts Catalogue is related to the parts in use for the Yamaha XC125'90(3KR1).
When you are ordering replacement parts for the XC125'90(3KR1), refer to this Parts Catalogue and quote both part numbers and part names correctly.

1. Modifications or additions which have been made after issue of the Parts Catalogue will be announced in the Yamaha Parts News.
It is advisable that according to the Yamaha Parts News you make necessary corrections to the Parts Catalogue on hand to keep it up-to-date.

2. Abbreviations

The following abbreviations are used in this Parts Catalogue.

- U.R. Use size (thickness) and/or number as required.
- U.N. Use as many as you need.
- A.P. Alternate Parts
- L.M. Local Made
- F# Frame No. (Applicable machine No.)

3. The parts marked with (+) in the parts number column of this Catalogue are not supplied by Yamaha, those have to be found locally.
4. Parts, which are to be supplied in the form of assemblies, are listed with an indentation of one letter's space, and a dot (.) is put against the name of each part.

EXAMPLE CARBURETOR ASS'Y
 . JET, pilot
 . NOZZLE, main

5. Indication of No. of constituent parts for assembly

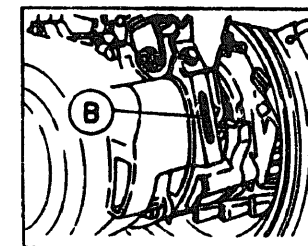
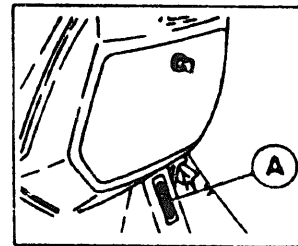
The numeral appearing to the right of each constituent part under the description indicates the quantity of such parts for each individual assembly unit.

EXAMPLE

Part No.	Description	Q'ty	Remarks
2F5-83310-60	FRONT FLASHER LIGHT ASS'Y	2	
115-83311-60	. BULB (6V-18W)	1	
1M1-83309-60	. REFLECTOR	1	

6. Initial Serial No. and Color Code

(A) Frame Serial No.	3KR-001853 and following
(B) Engine Serial No.	3KR-001853 and following



Color Code	Color Name	Abbreviate
AJ	STORMY RED	SMR
GE	SILKY WHITE	SW
OK	FEATHER BLACK	FEB

7. Applicable colors of graphics are represented in the "Remarks" column by the letter(s) appropriately picked out of the full word(s) showing such colors.

EXAMPLE

Part No.	Description	Q'ty	Remarks
2N4 24110-00 X5	FUEL TANK COMP.	1	MAXIM RED
3J1 24240-10	. GRAPHIC, fuel tank set	1	for MXR

CONTENTS

ENGINE

Cylinder	B2
Crankshaft, Piston	B3
Valve	B4
Air Shroud, Fan	B5
Oil Pump	B6
Intake	B7
Carburetor	B8 ~ B9
Exhaust	B10
Crankcase	B11 ~ B13
Starter Clutch	B14
Clutch	B15 ~ C2
Transmission	C3

CHASSIS

Frame	C4
Fender	C5
Side Cover	C6
Rear Arm. Suspension	C7
Steering	C8 ~ C9
Fuel Tank	C10
Seat	C11 ~ C12
Front Wheel	C13 ~ C14
Rear Wheel	C15
Steering Handle, Cable	D2
Stand, Footrest	D3 ~ D4
Leg Shield	D5
Cowling 1	D6
Generator	D7
Starting Motor	D8

Flasher Light	D9
Meter	D10
Headlight	D11
Taillight	D12
Handle Switch, Lever	D13
Electrical 1	D14 ~ D15
Electrical 2	E2

INDEX

Numerical Index	M1 ~ M3
-----------------------	---------

CONTENTS

ENGINE

Cylinder	B2
Crankshaft, Piston	B3
Valve	B4
Air Shroud, Fan	B5
Oil Pump	B6
Intake	B7
Carburetor	B8 ~ B9
Exhaust	B10
Crankcase	B11 ~ B13
Starter Clutch	B14
Clutch	B16 ~ C2
Transmission	C3

Flasher Light	D9
Meter	D10
Headlight	D11
Taillight	D12
Handle Switch, Lever	D13
Electrical 1	D14 ~ D15
Electrical 2	E2

INDEX

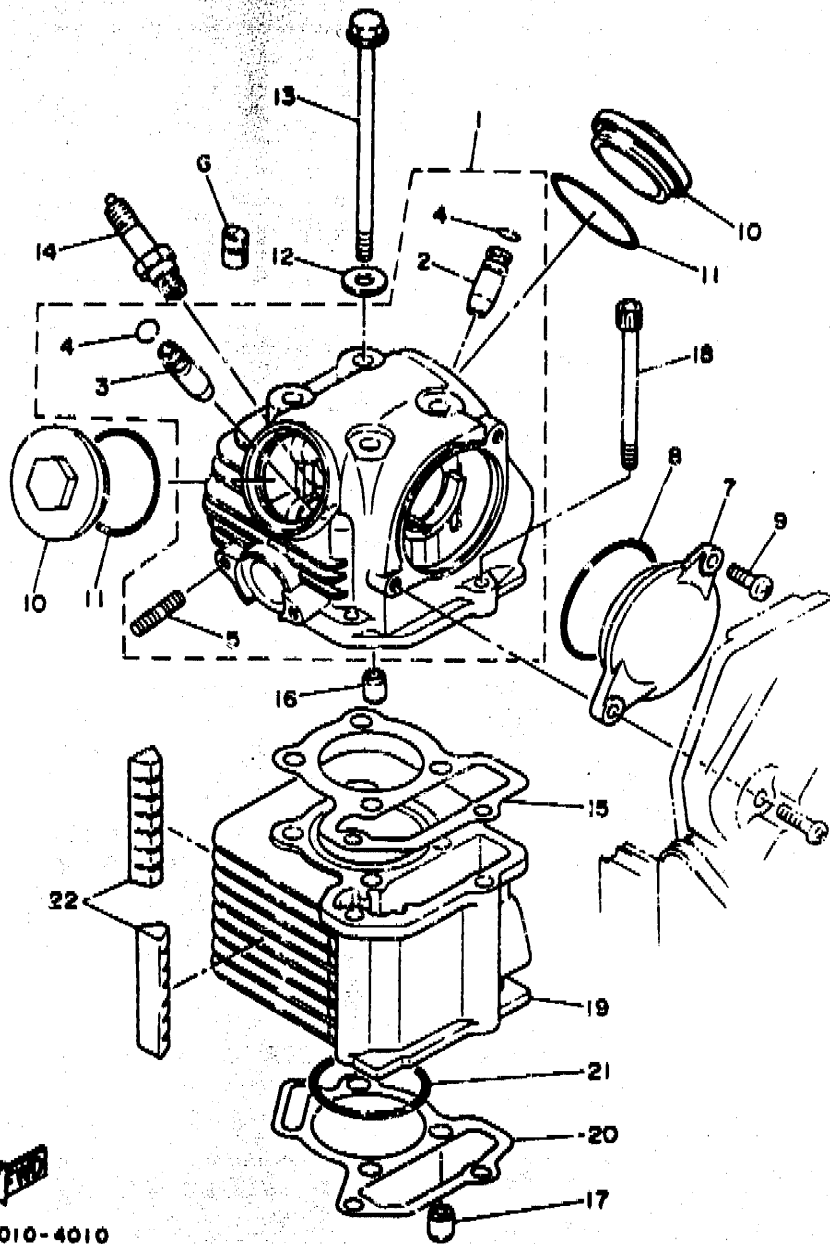
Numerical Index	M1 ~ M3
-----------------------	---------

CHASSIS

Frame	C4
Fender	C5
Side Cover	C6
Rear Arm. Suspension	C7
Steering	C8 ~ C9
Fuel Tank	C10
Seat	C11 ~ C12
Front Wheel	C13 ~ C14
Rear Wheel	C15
Steering Handle, Cable	D2
Stand, Footrest	D3 ~ D4
Leg Shield	D5
Cowling 1	D6
Generator	D7
Starting Motor	D8

FIG. 1 CYLINDER

REF. NO.	PART NO.	DESCRIPTION	Q'TY	REMARKS
1	50M-11170-00	CYLINDER HEAD ASSY	1	
2	22F-11134-10	.GUIDE, exhaust valve	1	
3	22F-11134-10	.GUIDE, exhaust valve	1	
4	9344U-10109	.CIRCLIP	2	
5	50M-14651-00	.BOLT	2	
6	15A-11162-00	ABSORBER 2	6	
7	50M-11185-01	COVER, cylinder head side 1	1	
8	93210-63556	O-RING	1	
9	92501-06014	SCREW, pan head	1	
10	22F-11186-00	COVER, cylinder head side 2	2	
11	93210-44704	O-RING	2	
12	90201-080L7	WASHER, plate	4	
13	90105-08324	BOLT, washer based	4	
14	94701-00283	PLUG, spark (ND U20FSR-U)	1	
15	50M-11181-00	GASKET, cylinder head 1	1	
16	99510-10114	PIN, dowel	2	
17	99510-10114	PIN, dowel	2	
18	91311-06110	BOLT	2	
19	50M-11310-00	CYLINDER	1	
20	50M-11351-00	GASKET, cylinder	1	
21	93210-53679	O-RING	1	
22	50M-11162-00	ABSORBER 2	3	

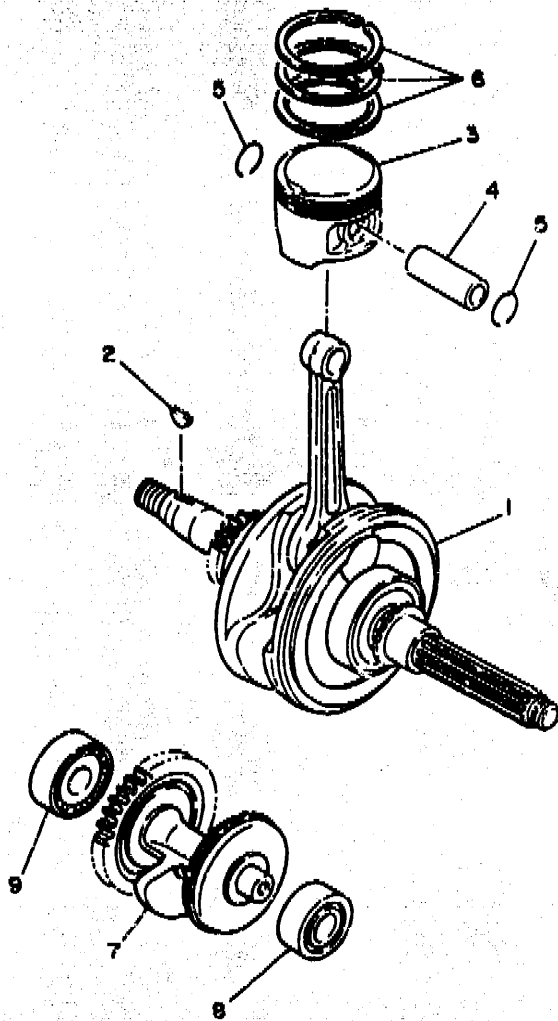


50V010-4010

B2

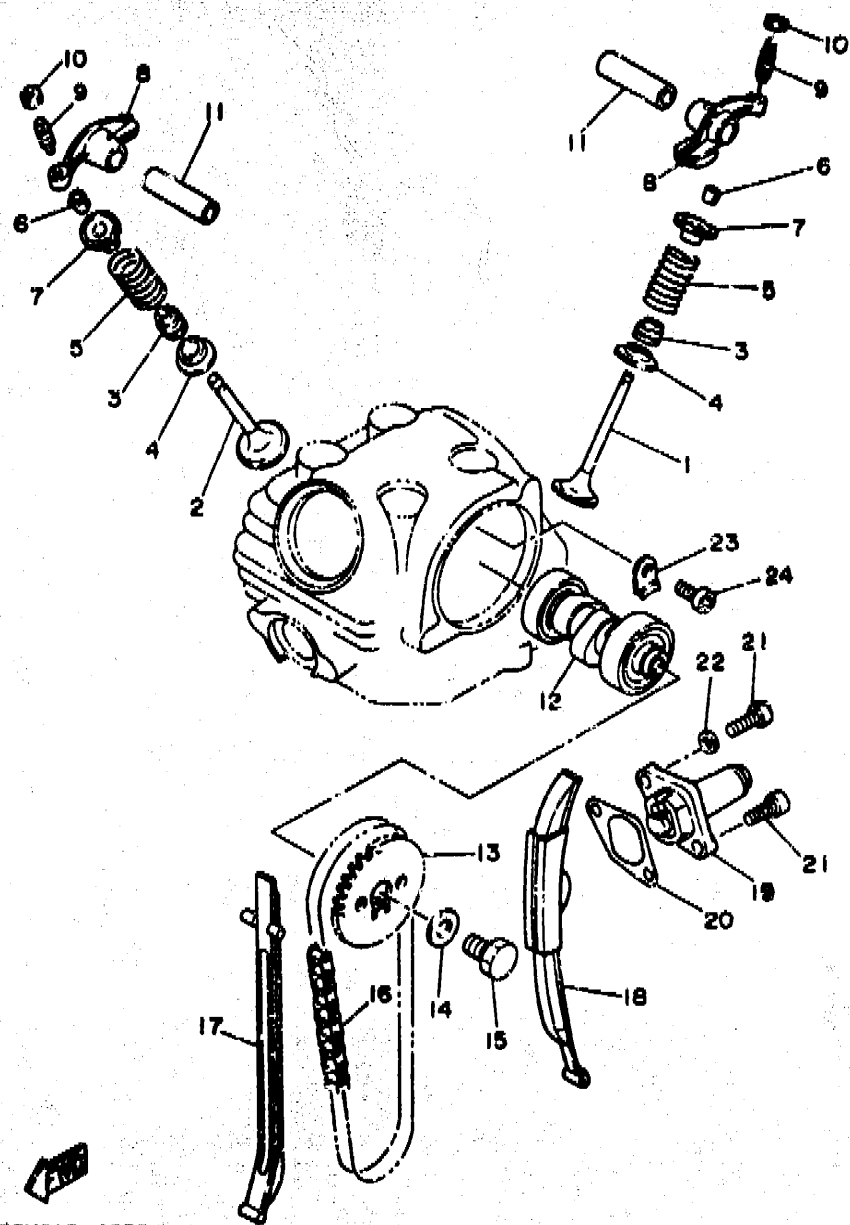
FIG. 2 CRANKSHAFT, PISTON

REF. NO.	PART NO.	DESCRIPTION	Q'TY	REMARKS
1	50M-11400-00	CRANKSHAFT ASSY	1	
2	90280-03017	KEY, woodruff	1	
3	2YM-11631-00-A0	PISTON (STD)	1	
	2YM-11636-00	PISTON (0.50MM O/S)	1	AP
	2YM-11638-00	PISTON (1.00MM O/S)	1	AP
4	22K-11633-01	PIN, piston	1	
5	93450-14088	CIRCLIP	2	
6	50M-11610-00	PISTON RING SET (STD)	1	
	50M-11610-20	PISTON RING SET (2ND O/S)	1	AP
	50M-11610-40	PISTON RING SET (4TH O/S)	1	AP
7	50M-11500-00	BALANCER ASSY	1	
8	93306-20215	BEARING	1	
9	93306-20336	BEARING	1	



50M-11400-4021

B3



50V010-4030

FIG. 3 VALVE

REF. NO.	PART NO.	DESCRIPTION	Q'TY	REMARKS
1	50M-12111-00	VALVE, intake	1	
2	50M-12121-01	VALVE, exhaust	1	
3	22F-12119-01	SEAL, valve stem	2	
4	22F-12116-00	SEAT, valve spring	2	
5	22F-12114-00	SPRING, valve outer	2	
6	22F-12118-01	COTTER, valve	4	
7	22F-12117-02	RETAINER, valve spring	2	
8	50M-12151-00	ARM, valve rocker	2	
9	22F-12159-00	SCREW, valve adjusting	2	
10	90170-05302	NUT	2	
11	22F-12156-00	SHAFT, rocker 2	2	
12	50M-12170-00	CAMSHAFT ASSY 1	1	
13	50M-12176-00	SPROCKET, cam chain (28T)	1	
14	90201-08326	WASHER, plate	1	
15	90101-08590	BOLT	1	
16	94580-25092	CHAIN	1	
17	50M-12231-00	GUIDE, stopper 1	1	
18	50M-12241-00	GUIDE, stopper 2	1	
19	50M-12210-00	TENSIONER ASSY, cam chain	1	
20	50M-12213-00	GASKET, tensioner case	1	
21	91311-06016	BOLT	2	
22	90430-06014	GASKET	1	
23	50M-1111F-00	PLATE	1	
24	91316-06012	BOLT	1	

B4

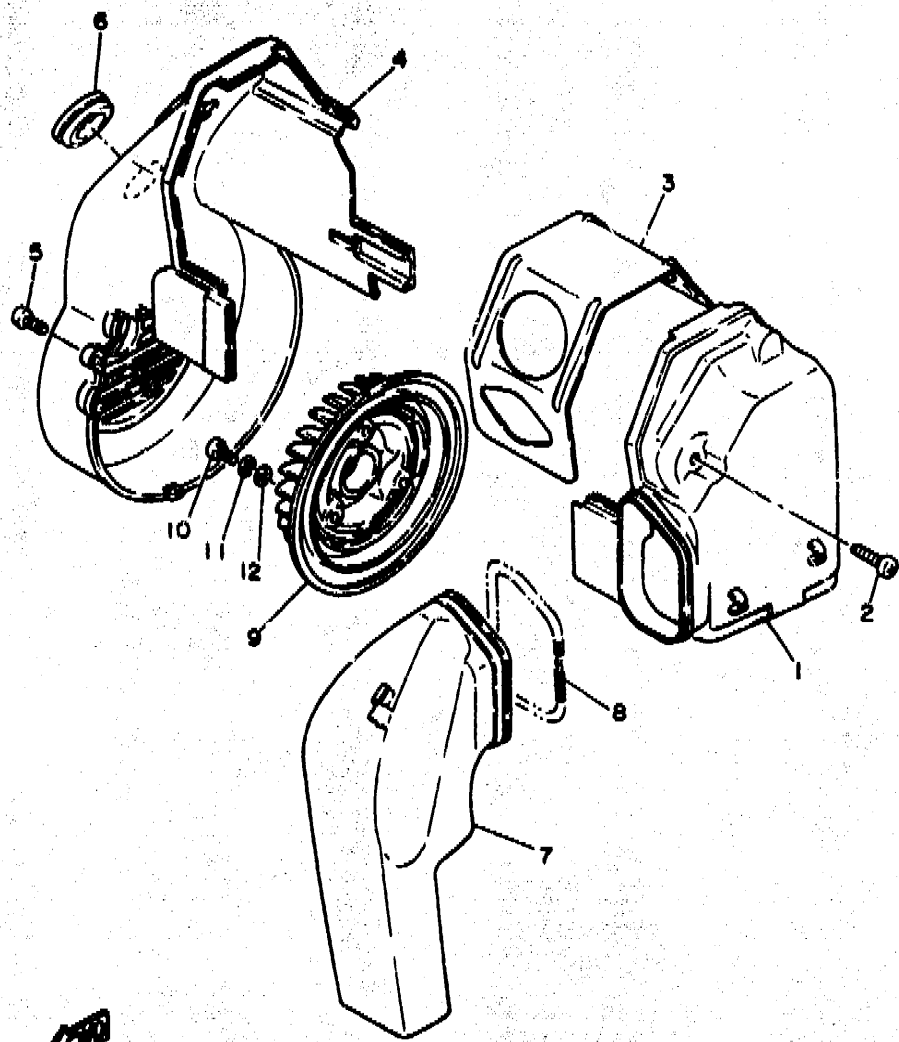


FIG. 4 AIR SHROUD, FAN

REF. NO.	PART NO.	DESCRIPTION	Q'TY	REMARKS
1	50M-12651-00	AIR SHROUD, cylinder 1	1	
2	92501-06025	SCREW, pan head	1	
3	50M-12652-00	AIR SHROUD, cylinder 2	1	
4	50M-12653-00	AIR SHROUD, cylinder 3	1	
5	92501-06020	SCREW, pan head	2	
6	90480-30167	GROMMET	1	
7	50M-12654-00	AIR SHROUD, cylinder 4	1	
8	90506-06279	SPRING, tension	1	
9	50M-12611-00	FAN	1	
10	92503-06018	SCREW PAN HEAD	3	
11	92990-06100	WASHER, spring	3	
12	92901-06600	WASHER, plate	3	

50V010-4040

B5

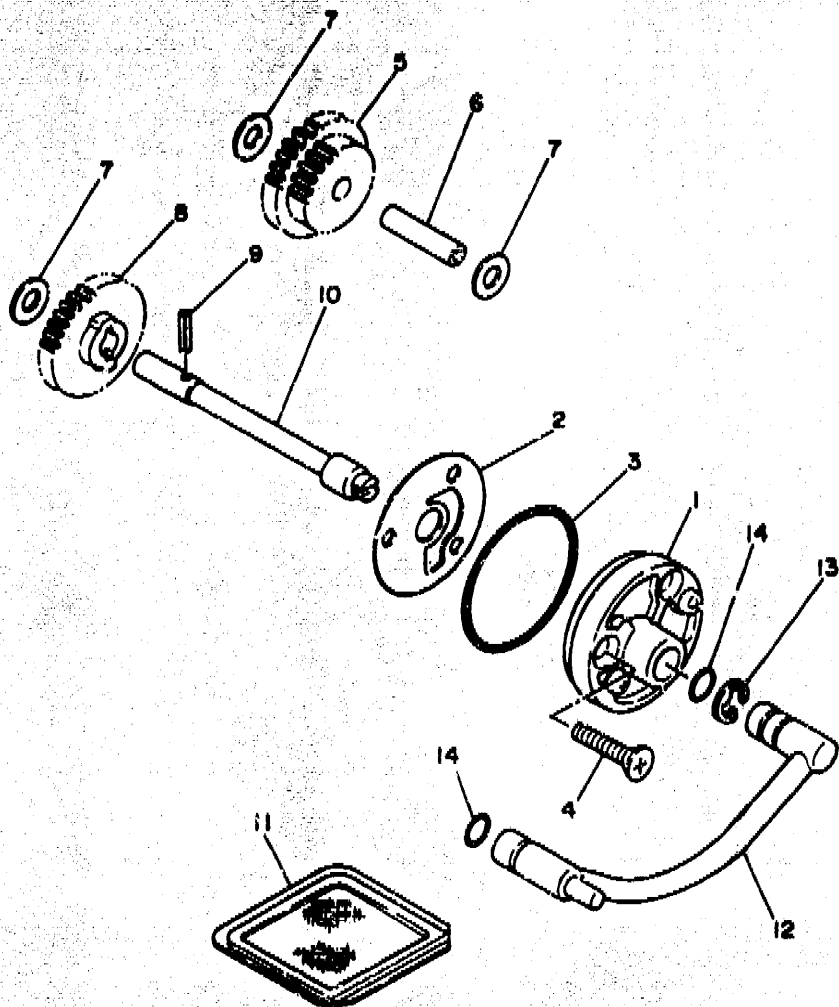


FIG. 5 OIL PUMP

REF. NO.	PART NO.	DESCRIPTION	Q'TY	REMARKS
1	50M-13300-00	OIL PUMP ASSY	1	
2	50M-13475-00	GASKET	1	
3	93210-50532	O-RING	1	
4	92701-06025	SCREW, flat head	3	
5	50M-13341-00	GEAR, oil pump idle	1	
6	50M-13342-00	SHAFT, idle gear	1	
7	90201-08403	WASHER, plate	3	
8	50M-13325-00	GEAR, pump driven	1	
9	91609-30014	PIN, spring	1	
10	50M-13344-00	SHAFT, driven gear	1	
11	22F-13411-00	STRAINER, oil	1	
12	50M-13405-00	OIL PIPE COMP. 1	1	
13	99001-10600	CIRCLIP	1	
14	93210-08006	O-RING	2	



50V010-4050

B6

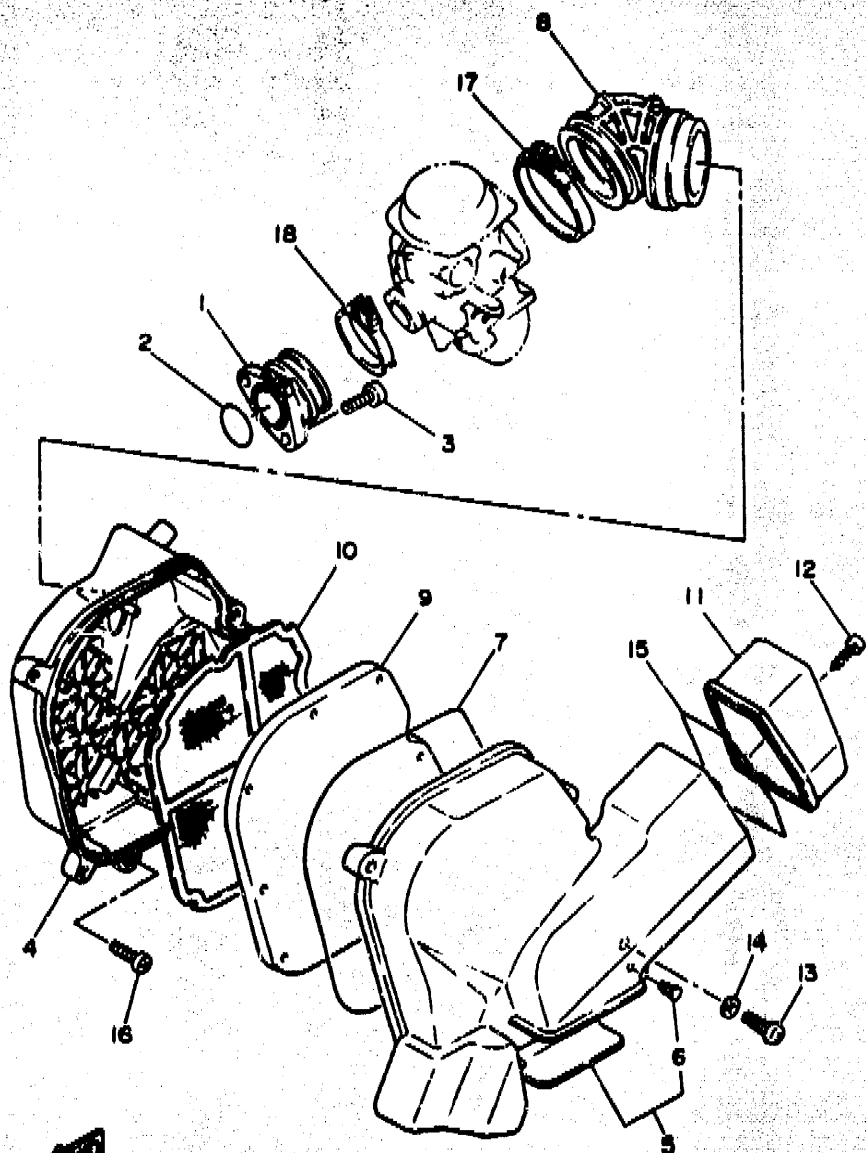
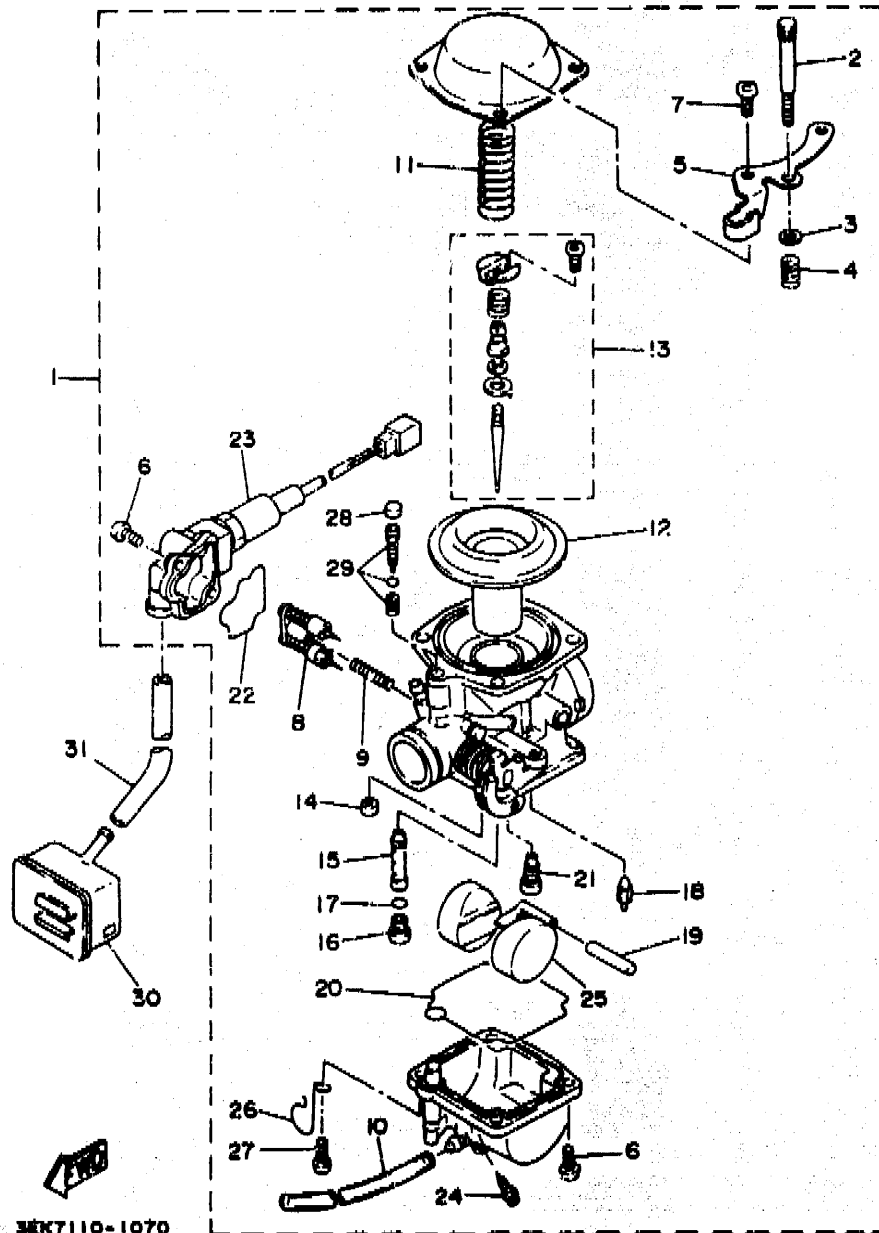


FIG. 6 INTAKE

REF. NO.	PART NO.	DESCRIPTION	Q'TY	REMARKS
1	50M-13585-00	MANIFOLD	1	
2	93210-27672	O-RING	1	
3	91316-56020	BOLT	2	
4	50M-W1441-00	AIR CLEANER CASE COMP.	1	
5	50M-W1443-00	CAP, cleaner case 1	1	
6	90338-05056	.PLUG	1	
7	51Y-14462-00	SEAL	1	
8	50M-14453-00	JOINT, air cleaner 1	1	
9	50M-14451-00	ELEMENT, air cleaner	1	
10	50M-14472-00	PLATE, element	1	
11	50M-14422-00	CAP, cleaner case 2	1	
12	97780-40120	SCREW, tapping	1	
13	98503-05025	SCREW, pan head	4	
14	92901-05600	WASHER, plate	4	
15	50M-14462-01	SEAL	1	
16	92501-06020	SCREW, pan head	2	
17	90460-56105	CLAMP, hose	1	
18	90460-45222	CLAMP, hose	1	

50V010-4080

B7

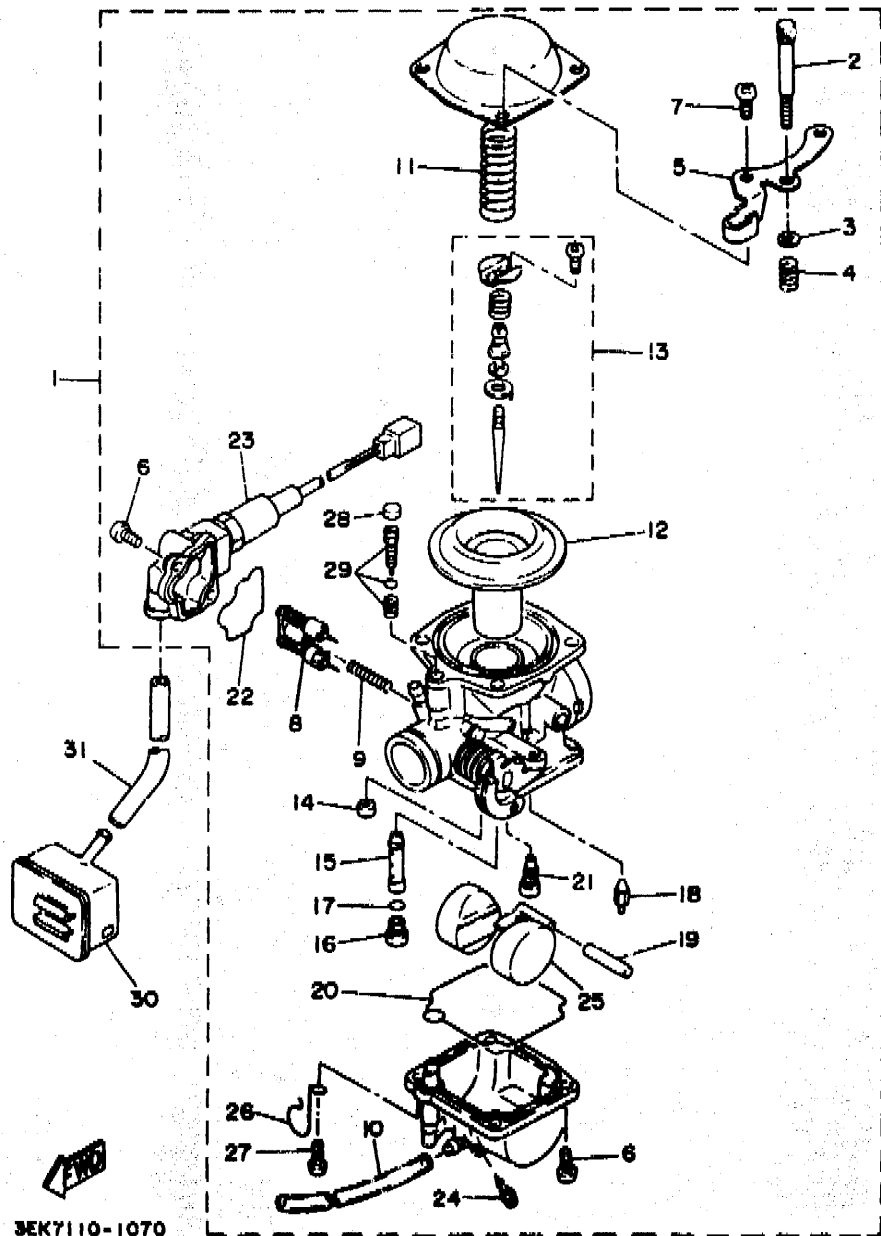


3EK7110-1070

FIG. 7 CARBURETOR

REF. NO.	PART NO.	DESCRIPTION	Q'TY	REMARKS
1	3KR-14301-01	CARBURETOR ASSY 1	1	
2	50M-14321-00	.SCREW, throttle	1	
3	50M-14952-00	.WASHER	1	
4	30X-14333-00	.SPRING, throttle stop	1	
5	50M-14926-00	.BRACKET, throttle 1	1	
6	98511-04012	.SCREW, pan head	5	
7	98501-04008	.SCREW, pan head	4	
8	50M-14371-01	.PLUNGER, starter	1	
9	50M-14335-00	.SPRING, plunger	1	
10	50M-14396-00	.PIPE	1	
11	30X-14286-00	.SPRING	1	
12	2YM-14340-00	.VALVE ASSY	1	
13	2YM-1490J-00	.NEEDLE SET	1	
14	50M-14355-00	.PLUG	1	
15	2YM-14341-00	.NOZZLE, main	1	
16	50M-14343-54	.JET, main (#108)	1	
17	50M-14397-00	.O-RING	1	
18	36F-14392-00	.VALVE, needle	1	
19	6E5-14386-01	.PIN, float	1	
20	50M-14384-00	.GASKET, float chamber	1	
21	50M-14342-16	.JET, pilot (# 32)	1	
22	50M-14398-00	.GASKET	1	
23	50V-14370-01	.PLANGER STARTER ASSY	1	
24	14T-14323-00	.PLUG, screw	1	
25	5Y1-14385-00	.FLOAT	1	
26	50M-14261-00	.HOLDER	1	
27	98503-04014	.SCREW, pan head	1	
28	50M-14355-00	.PLUG	1	

B8



3EK7110-1070

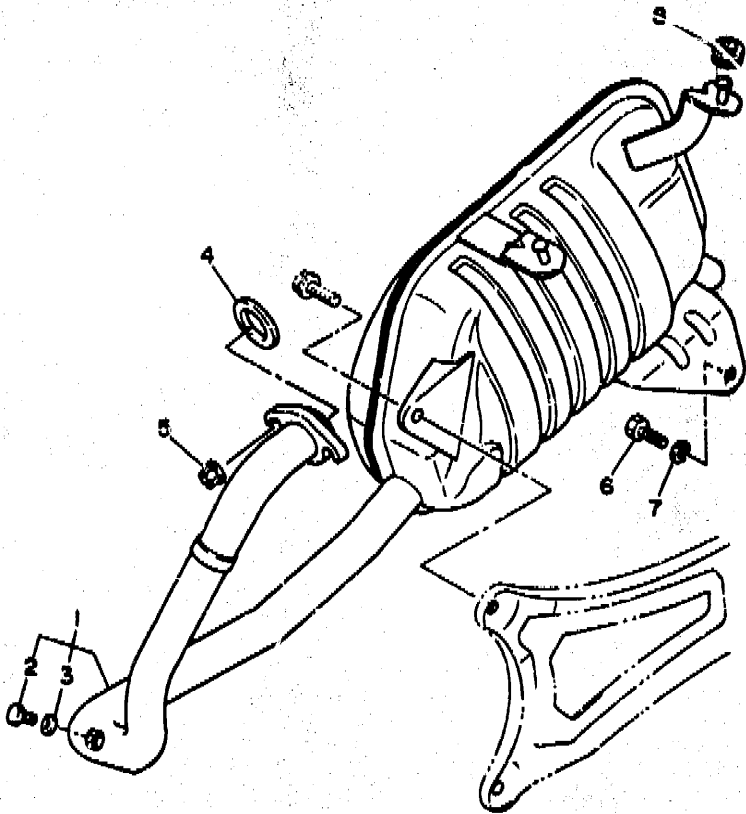
FIG. 7 CARBURETOR

REF. NO.	PART NO.	DESCRIPTION	QTY	REMARKS
29	1XX-14105-00	.PILOT SCREW SET	1	
30	50M-14420-00	AIR CLEANER ASSY 2	1	
31	90445-09059	HOSE	1	

B9

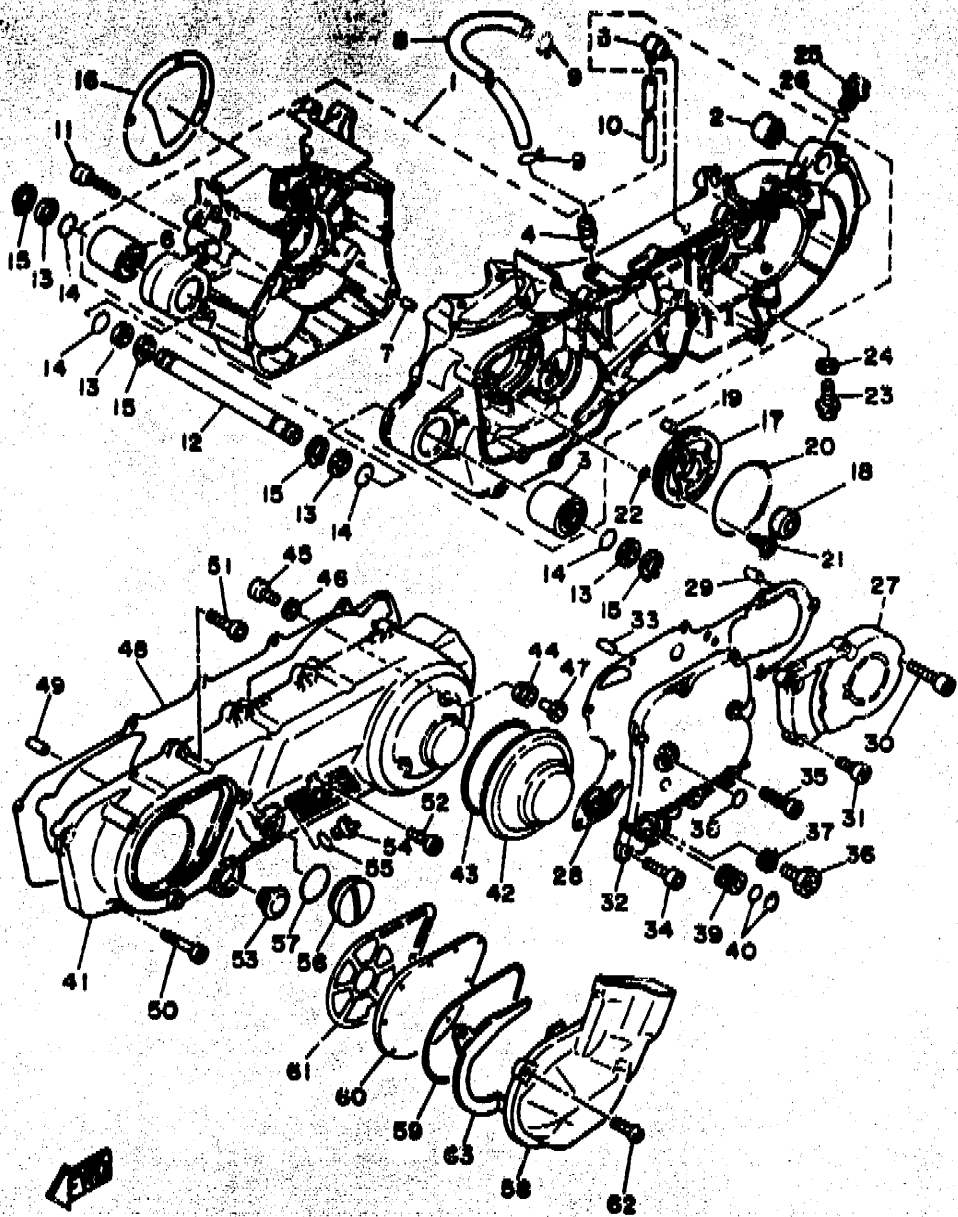
FIG. 8 EXHAUST

REF. NO.	PART NO.	DESCRIPTION	Q'TY	REMARKS
1	1PM-14610-00	EXHAUST PIPE ASSY 1	1	
2	90101-06576	.BOLT	1	
3	92990-06600	.WASHER, plate	1	
4	22F-14613-00	GASKET, exhaust pipe	1	
5	95701-06500	NUT, flange	2	
6	97313-08016	BOLT	1	
7	92990-08100	WASHER, spring	1	
8	90480-12053	GROMMET	2	



50V010-4080

B10

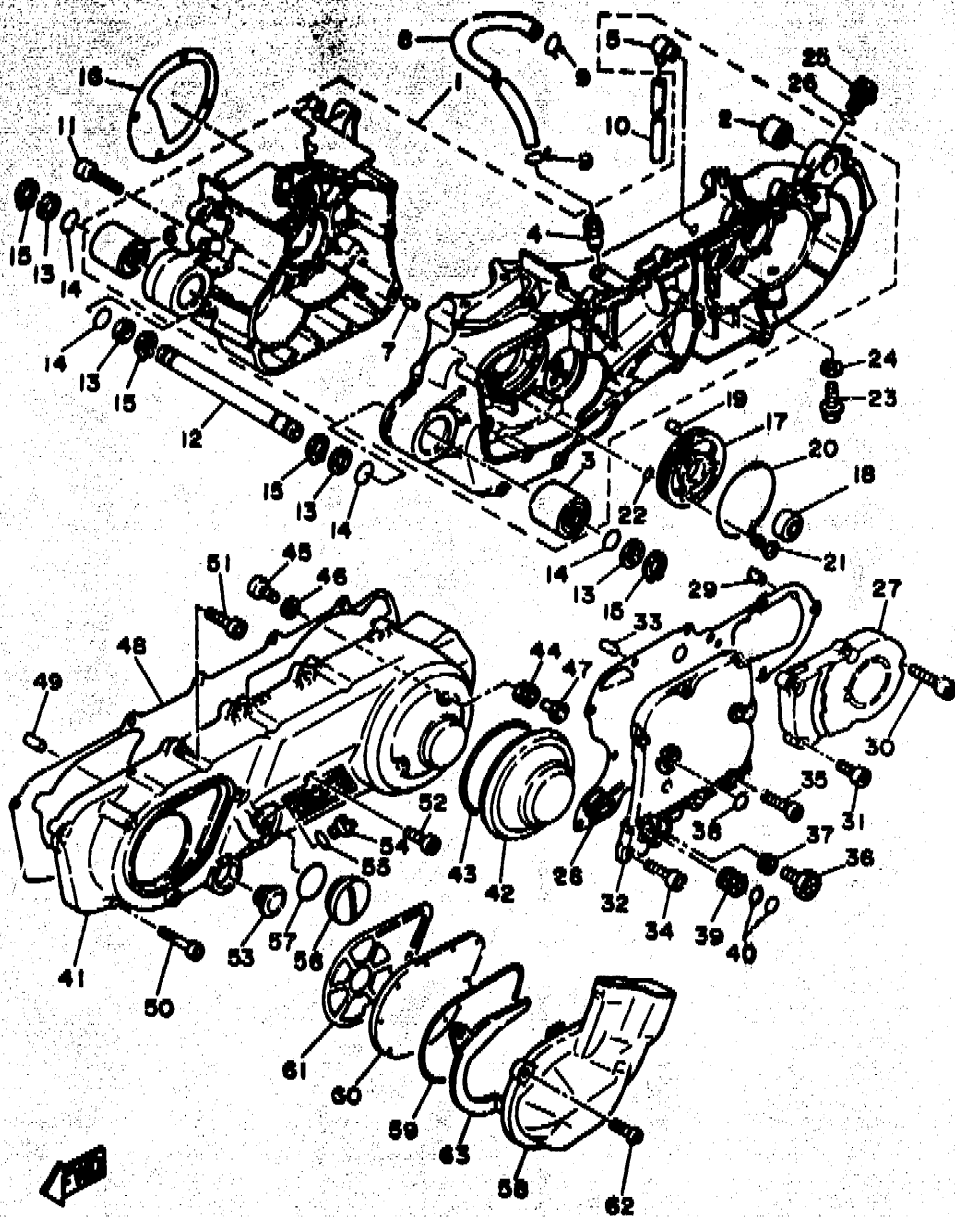


3KR1361-9090

FIG. 9 CRANKCASE

REF. NO.	PART NO.	DESCRIPTION	Q'TY	REMARKS
1	50M-15100-01	CRANKCASE ASSY	1	
2	16C-22216-00	.BUSH, rear shock absorber	1	
3	50M-15316-00	.DAMPER, engine mount 1	1	
4	371-11167-01	.PIPE, breather 2	1	
5	583-15371-00	.BREATHER	1	
6	50M-15316-00	.DAMPER, engine mount 1	1	
7	99510-12016	.PIN, dowel	2	
8	50M-11166-00	PIPE, breather 1	1	
9	90467-14015	CLIP	2	
10	90446-07112	HOSE	1	
11	91316-06060	BOLT	9	
12	50M-15317-01	SPACER, engine mount	1	
13	90201-17485	WASHER, plate	4	
14	93210-15639	O-RING	4	
15	99005-17400	CIRCLIP	4	
16	50M-15462-00	GASKET, crankcase cover 3	1	
17	50M-15418-00	COVER, chain case	1	
18	93102-22294	OIL SEAL	1	
19	9360b-18078	PIN, dowel	1	
20	93210-71462	O-RING	1	
21	92701-06015	SCREW, flat head	2	
22	93210-07540	G-RING	2	
23	95801-0E016	BOLT, flange	1	
24	90201-08087	WASHER, plate	1	
25	4J2-15363-00	PLUG, oil	1	
26	93210-14104	O-RING	1	
27	50M-15421-00	COVER, crankcase 2	1	
28	50M-15461-00	GASKET, crankcase cover 2	1	

B11



3KR1361-0090

FIG. 9 CRANKCASE

REF. NO.	PART NO.	DESCRIPTION	Q'TY	REMARKS
29	99530-10014	PIN, dowel	2	
30	91316-06035	BOLT	2	
31	91316-06020	BOLT	3	
32	50M-15431-00	COVER, crankcase 3	1	
33	99530-10014	PIN, dowel	2	
34	91316-06020	BOLT	6	
35	91316-06035	BOLT	2	
36	50M-13455-00	PLUG	1	
37	812-11198-00	GASKET	1	
38	93210-10673	O-RING	1	
39	50M-15112-00	PIPE, oil	1	
40	93210-16314	O-RING	2	
41	50M-15411-00	COVER, crankcase 1	1	
42	50M-15417-00	COVER, cap	1	
43	50M-15449-00	RING, rubber	1	
44	90480-12237	GROMMET	2	
45	92501-06020	SCREW, pan head	2	
46	92901-06600	WASHER, plate	2	
47	90387-087L0	COLLAR	2	
48	50M-15451-00	GASKET, crankcase cover 1	1	
49	99530-10014	PIN, dowel	2	
50	91316-06025	BOLT	7	
51	91316-06035	BOLT	2	
52	91316-06060	BOLT	1	
53	2M7-15361-00	GAUGE, level	1	
54	1RG-15363-00	PLUG, oil	1	
55	93210-19123	O-RING	1	
56	90340-36098	PLUG, straight screw	1	

B12

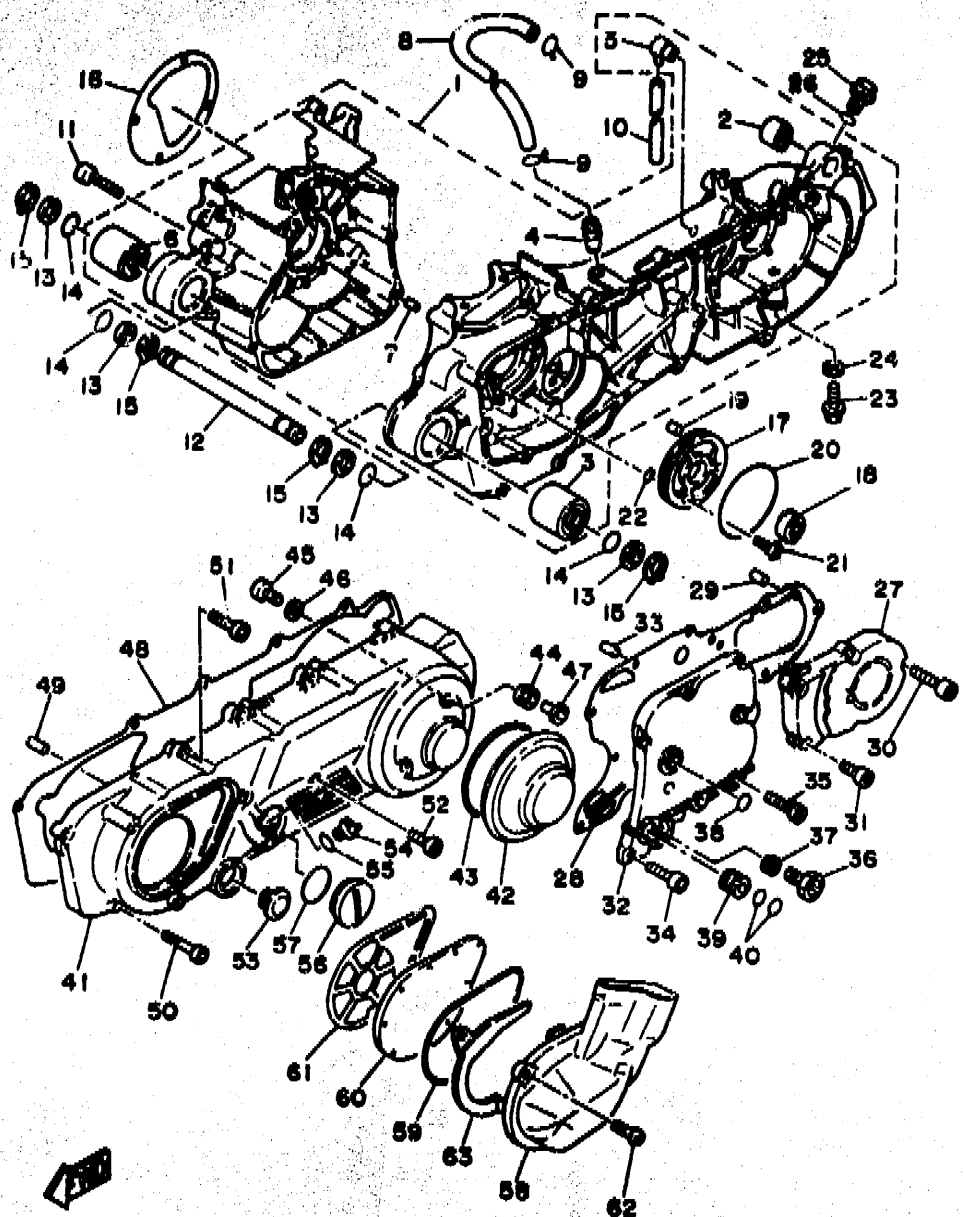


FIG. 9 CRANKCASE

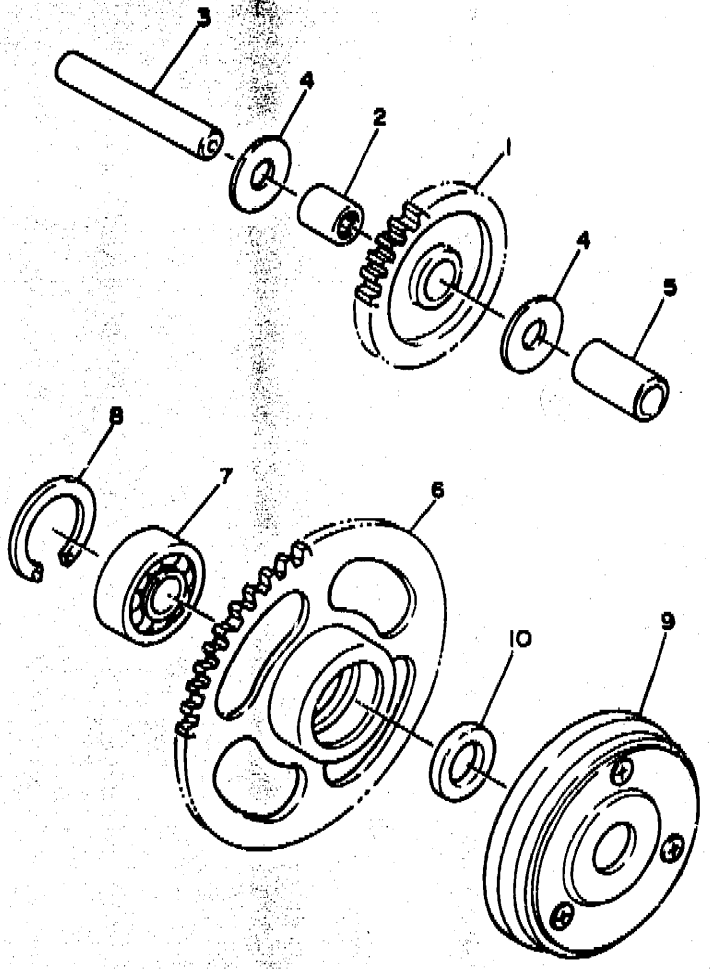
REF. NO.	PART NO.	DESCRIPTION	Q'TY	REMARKS
57	93210-36510	O-RING	1	
58	2YM-15470-00	AIR DUCT ASSY	1	
59	5TD-14457-00	SEAL	1	
60	50M-14461-00	ELEMENT, air cleaner 2	1	
61	50M-15455-00	GASKET 1	1	
62	92501-06020	SCREW, pan head	3	
63	2YM-15191-00	PLATE	1	

3KR1361-9090

B13

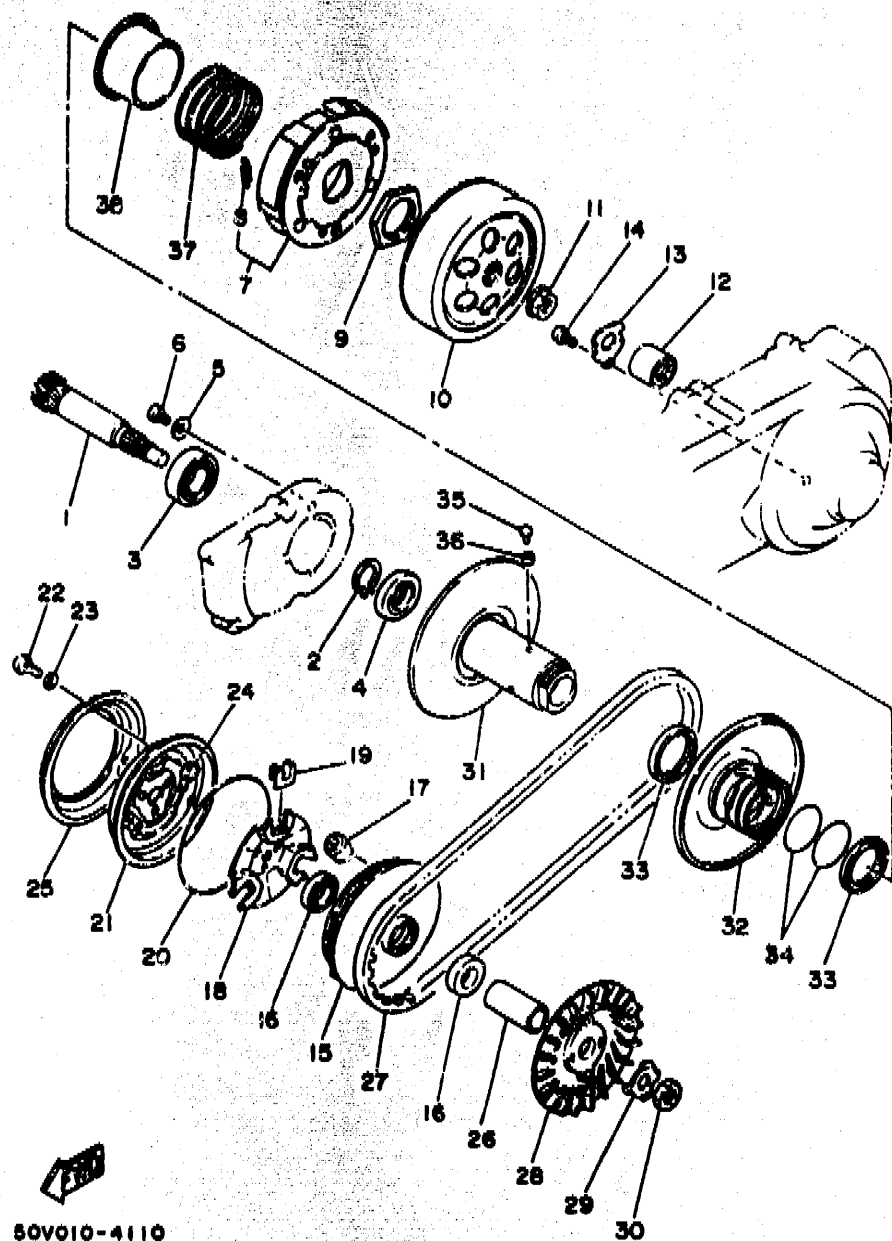
FIG. 10 STARTER CLUTCH

REF. NO.	PART NO.	DESCRIPTION	Q'TY	REMARKS
1	50M-15512-00	GEAR, idler 1 (55T-14T)	1	
2	93315-11040	BEARING, cylindrical	1	
3	50M-15521-00	SHAFT 1	1	
4	90201-105J4	WASHER, plate	2	
5	90387-100L5	COLLAR	1	
6	50M-15524-00	WHEEL, starter (55T)	1	
7	93306-00314	BEARING	1	
8	93450-35015	CIRCLIP	1	
9	50M-15570-01	STARTER CLUTCH ASSY	1	
10	90201-163F8	WASHER, plate	1	



50V010-4100

B14



50V010-4110

FIG. 11 CLUTCH

REF. NO.	PART NO.	DESCRIPTION	Q'TY	REMARKS
1	50M-16111-01	GEAR, primary drive (14T)	1	
2	99009-22400	CIRCLIP	1	
3	93306-00433	BEARING	1	
4	93162-22335	OIL SEAL	1	
5	90201-06412	WASHER, plate	1	
6	92501-06010	SCREW, pan head	1	
7	2YM-16620-00	CLUTCH CARRIER ASSY	1	
8	2YM-16626-00	SPRING, clutch weight 1	3	
9	90170-36333	NUT	1	
10	3FA-16611-02	CLUTCH HOUSING COMP.	1	
11	90179-14427	NUT	1	
12	93399-99918	BEARING	1	
13	50M-15381-00	PLATE, bearing cover	1	
14	92501-06010	SCREW, pan head	1	
15	50M-17620-01	PRIMARY SLIDING SHEAVE COMP.	1	
16	93101-23127	OIL SEAL	2	
17	50M-17632-00	WEIGHT	6	
18	50W-17623-00	CAM	1	
19	50W-17653-00	SLIDER	3	
20	93210-97690	O-RING	1	
21	50M-17630-00	PRIMARY SHEAVE CAP COMP.	1	
22	90157-04088	SCREW, pan head	3	
23	92901-04600	WASHER, plate	3	
24	90214-04038	WASHER, claw	3	
25	50M-1763E-01	PLATE	1	
26	90387-166L7	COLLAR	1	
27	50W-17641-00	V-BELT	1	
28	50W-17611-01	SHEAVE, primary fixed	1	

B15

CONTENTS

ENGINE

Cylinder	B2
Crankshaft, Piston	B3
Valve	B4
Air Shroud, Fan	B5
Oil Pump	B6
Intake	B7
Carburetor	B8 ~ B9
Exhaust	B10
Crankcase	B11 ~ B13
Starter Clutch	B14
Clutch	B15 ~ C2
Transmission	C3

CHASSIS

Frame	C4
Fender	C5
Side Cover	C6
Rear Arm, Suspension	C7
Steering	C8 ~ C9
Fuel Tank	C10
Seat	C11 ~ C12
Front Wheel	C13 ~ C14
Rear Wheel	C15
Steering Handle, Cable	D2
Stand, Footrest	D3 ~ D4
Leg Shield	D5
Cowling 1	D6
Generator	D7
Starting Motor	D8

Flasher Light	D9
Meter	D10
Headlight	D11
Taillight	D12
Handle Switch, Lever	D13
Electrical 1	D14 ~ D15
Electrical 2	E2

INDEX

Numerical Index	M1 ~ M3
-----------------------	---------

CONTENTS

ENGINE

Cylinder	B2
Crankshaft, Piston	B3
Valve	B4
Air Shroud, Fan	B5
Oil Pump	B6
Intake	B7
Carburetor	B8 ~ B9
Exhaust	B10
Crankcase	B11 ~ B13
Starter Clutch	B14
Clutch	B15 ~ C2
Transmission	C3

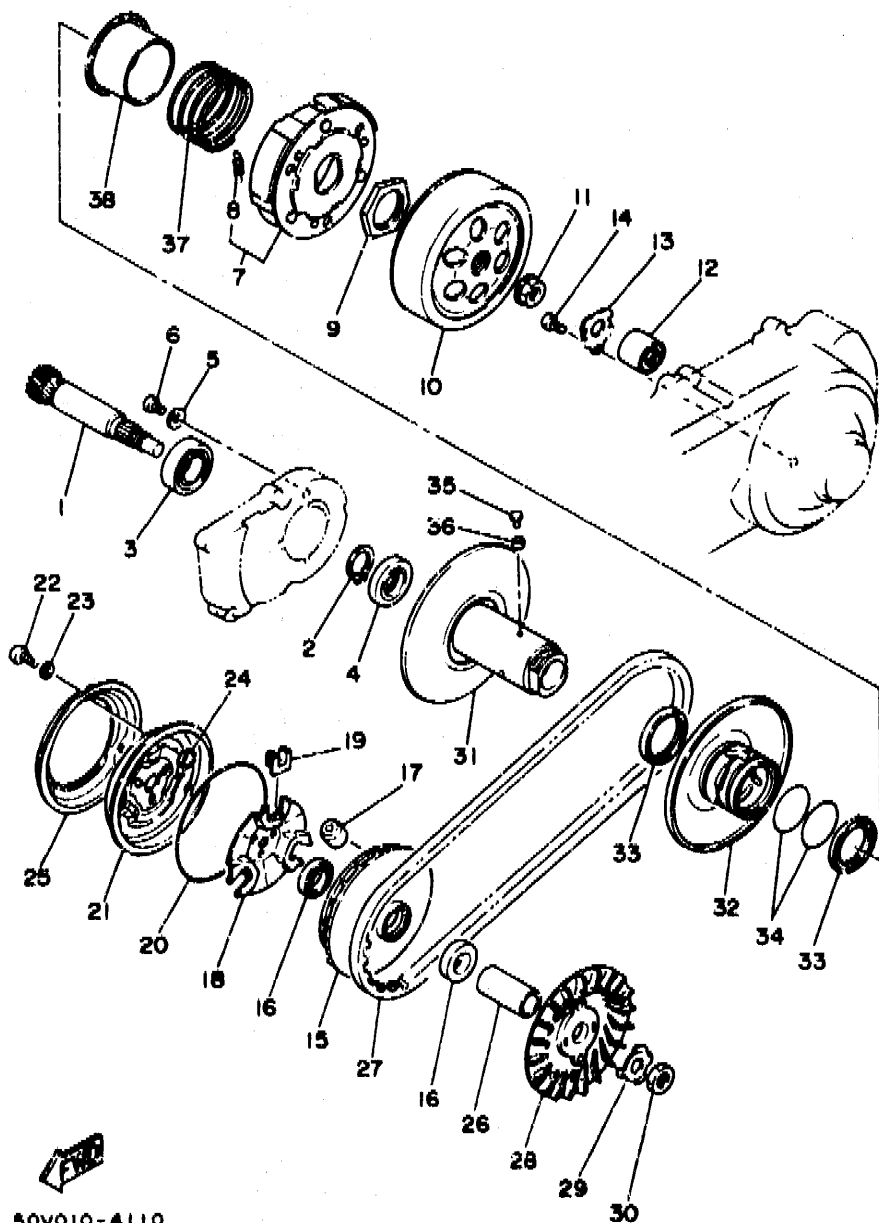
Flasher Light	D9
Meter	D10
Headlight	D11
Taillight	D12
Handle Switch, Lever	D13
Electrical 1	D14 ~ D15
Electrical 2	E2

INDEX

Numerical Index	M1 ~ M3
-----------------------	---------

CHASSIS

Frame	C4
Fender	C5
Side Cover	C6
Rear Arm. Suspension	C7
Steering	C8 ~ C9
Fuel Tank	C10
Seat	C11 ~ C12
Front Wheel	C13 ~ C14
Rear Wheel	C15
Steering Handle, Cable	D2
Stand, Footrest	D3 ~ D4
Leg Shield	D5
Cowling 1	D6
Generator	D7
Starting Motor	D8



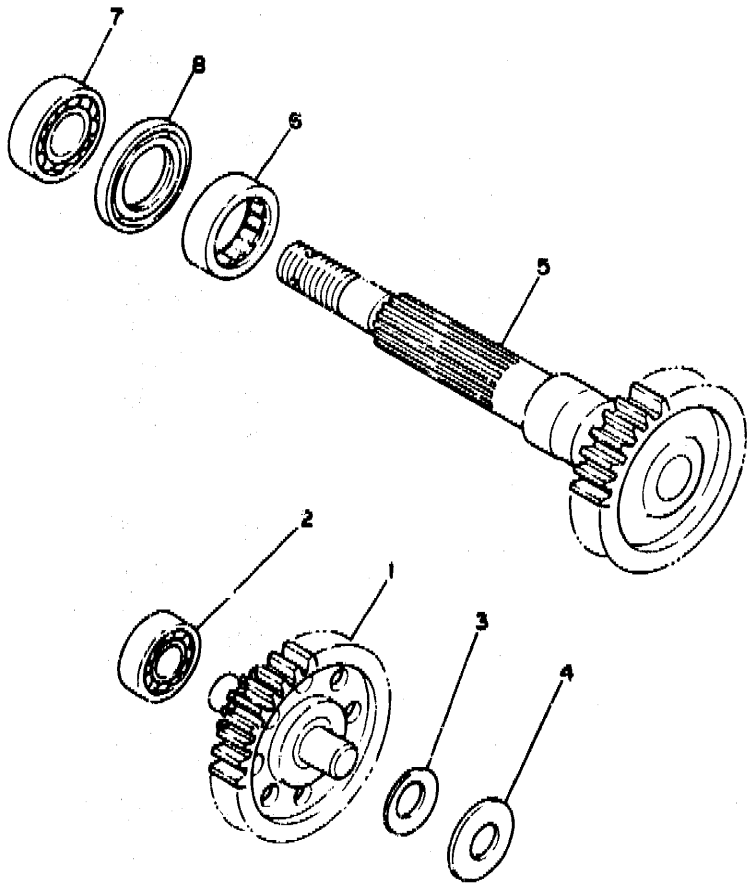
50V010-4110

FIG. 11 CLUTCH

REF. NO.	PART NO.	DESCRIPTION	Q'TY	REMARKS
29	90215-14236	WASHER, lock	1	
30	90170-12338	NUT	1	
31	50W-17660-01	SECONDARY FIXED SHEAVE COMP.	1	
32	50W-17670-00	SECONDARY SLIDING SHEAVE	1	
33	93104-41091	OIL SEAL	2	
34	93210-43713	O-RING	2	
35	50W-17664-00	PIN, guide	3	
36	50W-17674-00	COLLAR, guide	3	
37	90501-503A3	SPRING, compression	1	
38	50W-17684-00	SEAT, secondary spring	1	

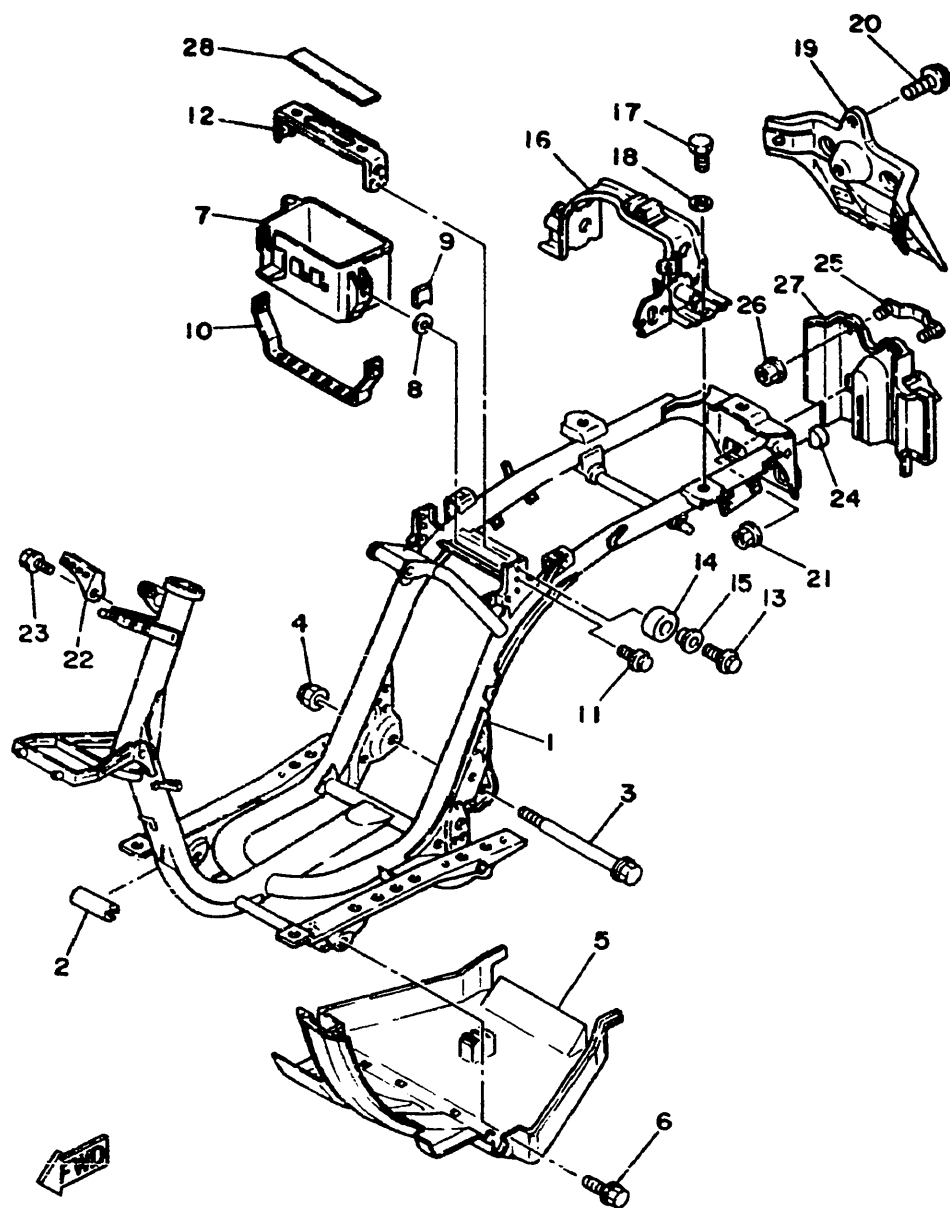
FIG. 12 TRANSMISSION

REF. NO.	PART NO.	DESCRIPTION	QTY	REMARKS
1	2YM-17410-00	MAIN AXLE COMP.	1	
2	93306-30101	BEARING (B6301)	1	
3	90208-15037	WASHER, conical spring	1	
4	90201-153H0	WASHER, plate	1	
5	2YM-17211-00	GEAR, 1st wheel	1	
6	93315-42536	BEARING, cylindrical	1	
7	93306-20460	BEARING	1	
8	93102-25334	OIL SEAL	1	



50V010-4120

C3



50V010-4131

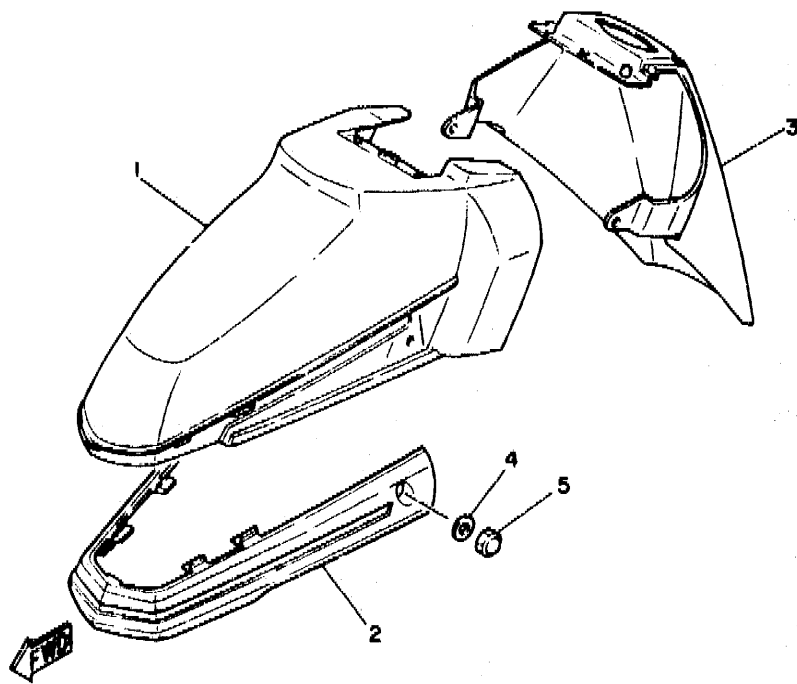
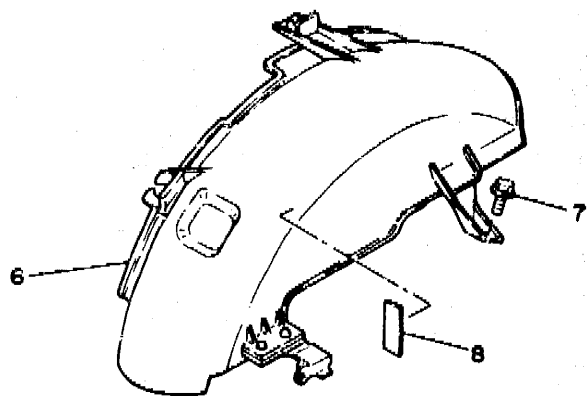
FIG. 13 FRAME

REF. NO.	PART NO.	DESCRIPTION	Q'TY	REMARKS
1	50M-21110-01	FRAME COMP.	1	
2	50W-24181-00	DAMPER, locating 1	1	
3	90105-12228	BOLT, washer based	1	
4	95601-12200	NUT, self-locking	1	
5	50W-21471-00	PROTECTOR, engine	1	
6	90119-06018	BOLT, with washer	2	
7	50M-21171-00	BOX, tool	1	
8	90387-060U2	COLLAR	2	
9	50W-21172-00	STOPPER, box	2	
10	50W-21393-00	BRACKET, battery box	1	
11	95811-06016	BOLT, flange	2	
12	50M-21243-00	PLATE, bridge	1	
13	95821-06030	BOLT, flange	2	
14	50W-21717-00	DAMPER, side cover	2	
15	90387-061F8	COLLAR	2	
16	50W-21391-00	BRACKET, seat	1	
17	97313-08016	BOLT	2	
18	92901-08600	WASHER, plate	2	
19	50W-2117E-00	BRACKET, taillight	1	
20	95801-06016	BOLT, flange	1	
21	95701-06500	NUT, flange	2	
22	50W-2128A-00	BRACKET, regulator	1	
23	95801-06012	BOLT, flange	1	
24	50M-2143A-00	CAP	2	
25	50M-21622-00	BAND, flap	1	
26	95701-05500	NUT, flange	2	
27	50M-21642-00	GUARD, flap	1	
28	50M-2139X-00	DAMPER	1	

C4

FIG. 14 FENDER

REF. NO.	PART NO.	DESCRIPTION	Q'TY	REMARKS
1	50W-21511-00-AJ	FENDER, front	1	UR STORMY RED
	50W-21511-00-GE	FENDER, front	1	UR SILKY WHITE
	50W-21511-00-OK	FENDER, front	1	UR FEATHER BLACK
2	ZYM-21529-00	MOLD, fender	1	
3	ZYM-21556-00	FENDER, front 2	1	
4	90201-067J4	WASHER, plate	2	
5	95306-06800	NUT	2	
6	50M-Y2162-00	MUD GUARD COMP.	1	
7	50W-21631-00	BOLT 1	1	
8	4U5-2317J-00	DAMPER 1	1	

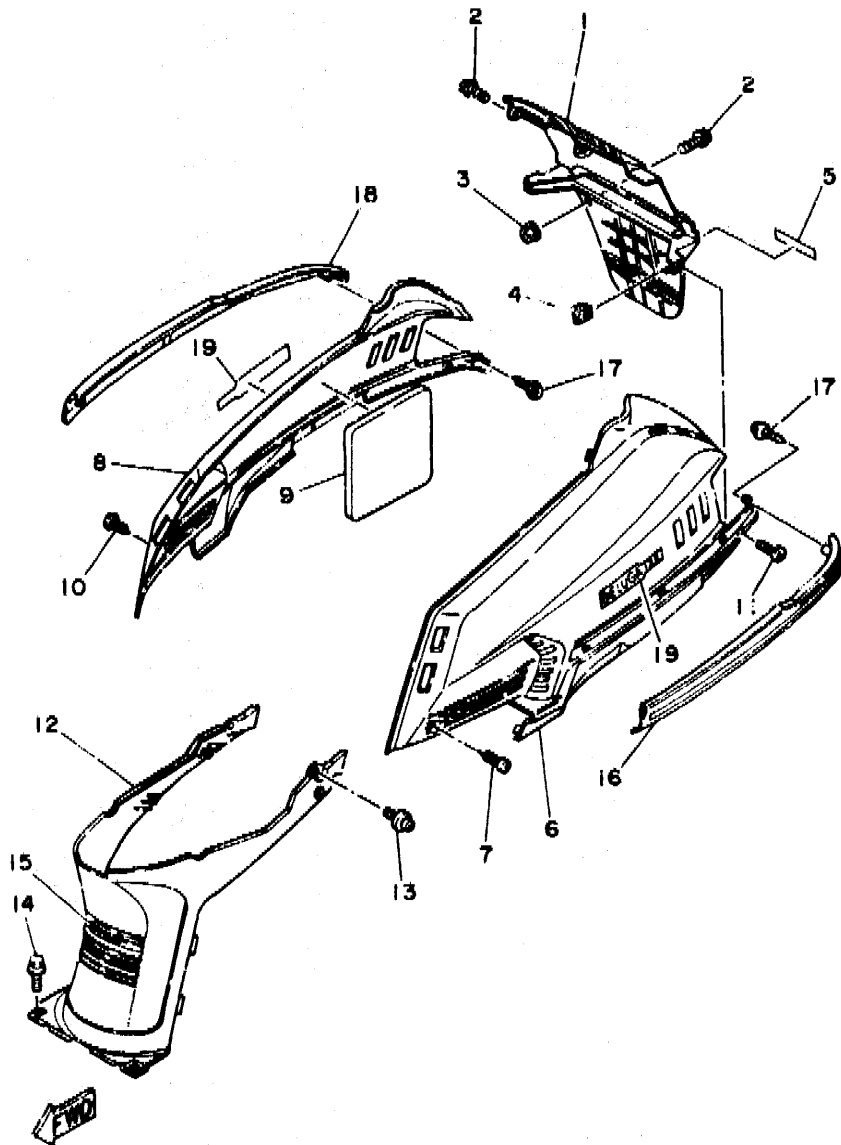


3KR1361-9140

C5

FIG. 15 SIDE COVER

REF. NO.	PART NO.	DESCRIPTION	Q'TY	REMARKS
1	50X-21711-00	COVER, side 1	1	
2	90159-05071	SCREW, with washer	4	
3	50701-06500	NUT, flange	2	
4	25G-21535-00	NUT 1	2	
5	50W-2173T-20	TAPE 1	2	
6	50W-21721-10-6X	COVER, side 2	1	UR SILKY WHITE/ MEDIUM GRAY
	50W-21721-10-7X	COVER, side 2	1	UR FEATHER BLACK/ MEDIUM GRAY
	50W-21721-10-8X	COVER, side 2	1	UR STORMY RED/ MEDIUM GRAY
7	90149-06184	SCREW	1	
8	50W-21731-10-6X	COVER, side 3	1	UR SILKY WHITE/ MEDIUM GRAY
	50W-21731-10-7X	COVER, side 3	1	UR FEATHER BLACK/ MEDIUM GRAY
	50W-21731-10-8X	COVER, side 3	1	UR STORMY RED/ MEDIUM GRAY
9	50M-21732-00	SEAL 1	1	
10	90149-06184	SCREW	1	
11	90149-06007	SCREW	2	
12	50W-21741-30	COVER, side 4	1	
13	90155-06071	SCREW, with washer	2	
14	90119-06018	BOLT, with washer	2	
15	3AA-21579-20	EMBLEM	1	
16	50W-2171L-30	MOLE, side cover 1	1	
17	90167-05016	SCREW, tapping	2	
18	50W-2171M-30	MOLE, side cover 2	1	
19	50W-21781-20	EMBLEM 1	2	UR FOR SW
	50W-21781-30	EMBLEM 1	2	UR FOR FEB



3KR1361-9151

C6

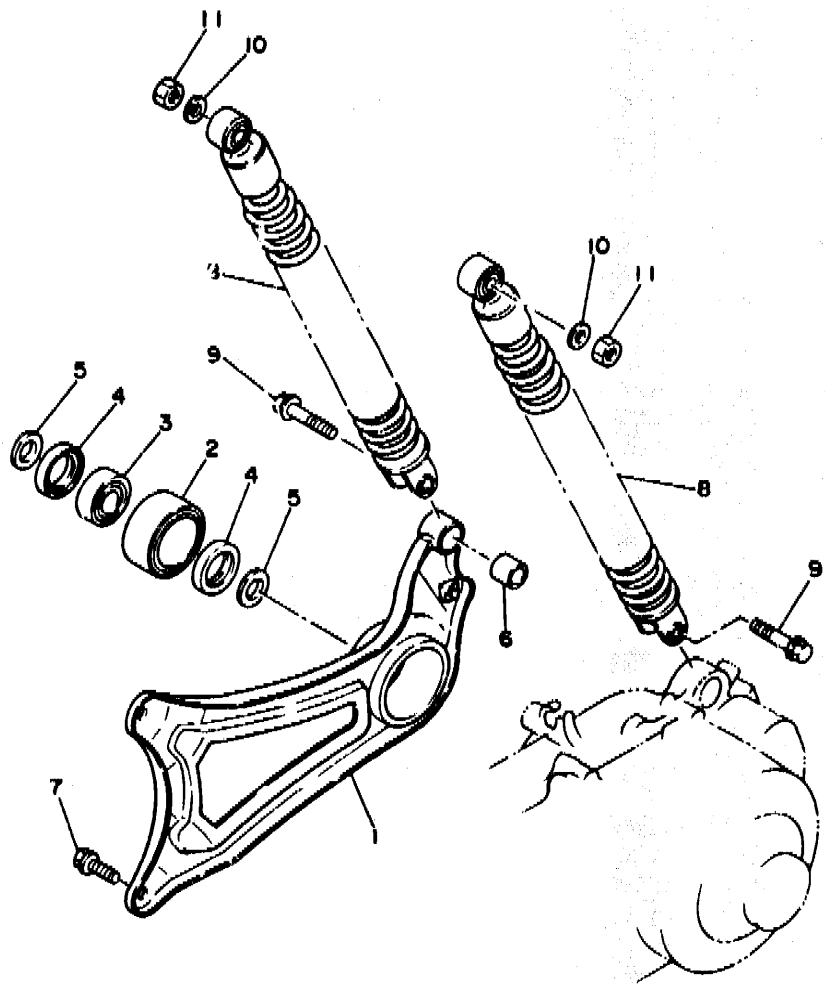
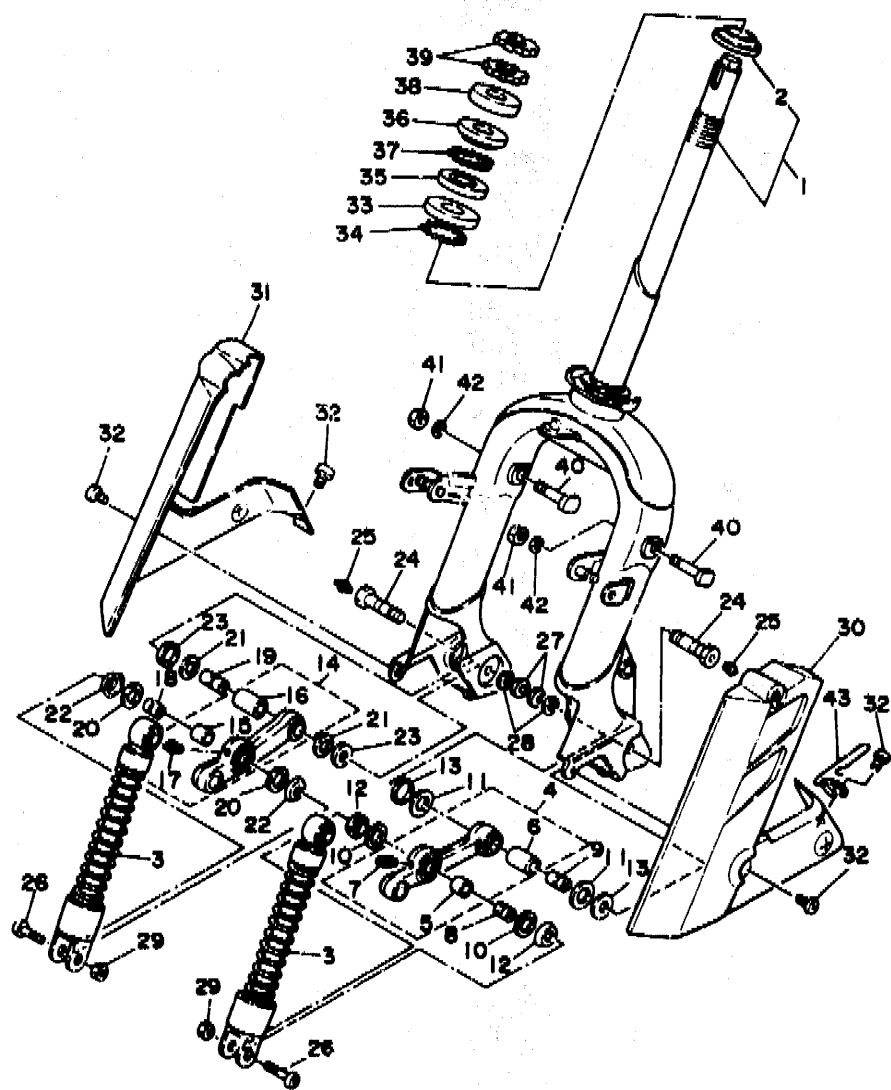


FIG. 16 REAR ARM. SUSPENSION

REF. NO.	PART NO.	DESCRIPTION	Q'TY	REMARKS
1	50W-22110-00	REAR ARM COMP.	1	
2	36F-22184-00	BUSH	1	
3	93306-20213	BEARING	1	
4	93109-28043	OIL SEAL	2	
5	90387-155J0	COLLAR	2	
6	164-22216-00	BUSH, rear shock absorber	1	
7	95821-08020	BOLT, flange	2	
8	50W-22210-00	SHOCK ABSORBER ASSY, rear	2	
9	90105-08256	BOLT, washer based	2	
10	90201-08795	WASHER, plate	2	
11	95306-08600	NUT	2	


50W351-5160

C7

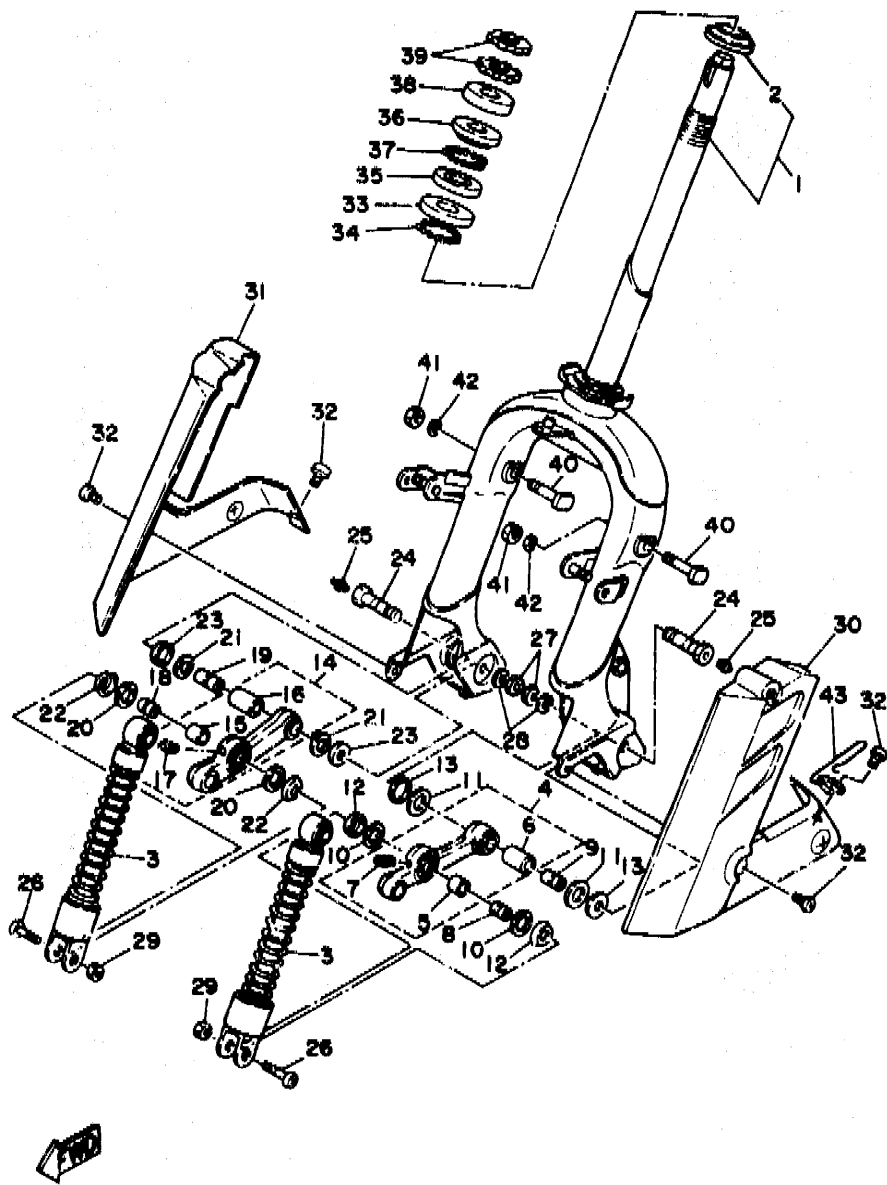


2YMO10-8170

FIG. 17 STEERING

REF. NO.	PART NO.	DESCRIPTION	Q'TY	REMARKS
1	2YM-23310-00	FORK COVER COMP.	1	
2	156-23411-00	.RACE, ball 1	1	
3	50W-23350-00	SHOCK ABSORBER ASSY	2	
4	50W-23361-00	ARM 1	1	
5	296-23362-09	.BUSH 1	1	
6	296-23372-09	.BUSH 2	1	
7	93700-04002	.NIPPLE, grease	1	
8	296-23363-01	COLLAR 1	1	
9	296-23364-02	COLLAR 2	1	
10	296-23381-01	SEAL, dust 1	2	
11	296-23382-01	SEAL, dust 2	2	
12	116-23383-00	COVER, dust seal 1	2	
13	116-23384-00	COVER, dust seal 2	2	
14	19E-23371-00	ARM 2	1	
15	296-23362-09	.BUSH 1	1	
16	296-23372-09	.BUSH 2	1	
17	93700-04002	.NIPPLE, grease	1	
18	296-23363-01	COLLAR 1	1	
19	296-23364-02	COLLAR 2	1	
20	296-23381-01	SEAL, dust 1	2	
21	296-23382-01	SEAL, dust 2	2	
22	116-23383-00	COVER, dust seal 1	2	
23	116-23384-00	COVER, dust seal 2	2	
24	90401-10035	BOLT, union	2	
25	93700-06004	NIPPLE, grease	2	
26	90155-08002	SCREW, flat fillister	2	
27	95303-10700	NUT	2	
28	92901-10100	WASHER, spring	2	

C8



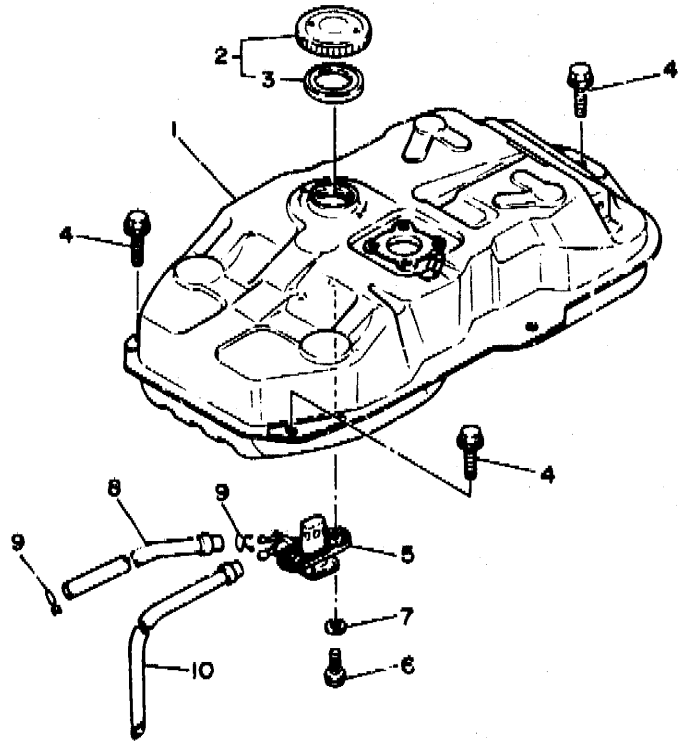
2YM010-8170

FIG. 17 STEERING

REF. NO.	PART NO.	DESCRIPTION	Q'TY	REMARKS
29	95303-08700	NUT	2	
30	2YM-23338-00-14	CAP, side 1	1	METALLIC COSSACK GRAY
31	2YM-23339-00-14	CAP, side 2	1	METALLIC COSSACK GRAY
32	98903-06012	SCREW, bind	6	
33	156-23412-00	RACE, ball 2	1	
34	93501-04011	BALL	19	
35	122-23412-00	RACE, ball 2	1	
36	122-23411-00	RACE, ball 1	1	
37	93503-16010	BALL	22	
38	122-23416-00	COVER, ball race 2	1	
39	90179-25033	NUT	2	
40	90109-08607	BOLT	2	
41	95303-08700	NUT	2	
42	92990-08100	WASHER, spring	2	
43	50W-23317-00	HOLDER, cable	1	

FIG. 18 FUEL TANK

REF. NO.	PART NO.	DESCRIPTION	Q'TY	REMARKS
1	50M-24110-00	FUEL TANK COMP.	1	
2	22F-24610-01	CAP ASSY	1	
3	3T5-24612-02	.GASKET, cap	1	
4	95811-06012	BOLT, flange	3	
5	50M-24500-00	FUEL COCK ASSY 1	1	
6	90149-06011	SCREW	2	
7	90202-06010	WASHER, plate	2	
8	90445-10308	HOSE	1	
9	90467-09006	CLIP	2	
10	90445-07370	HOSE	1	

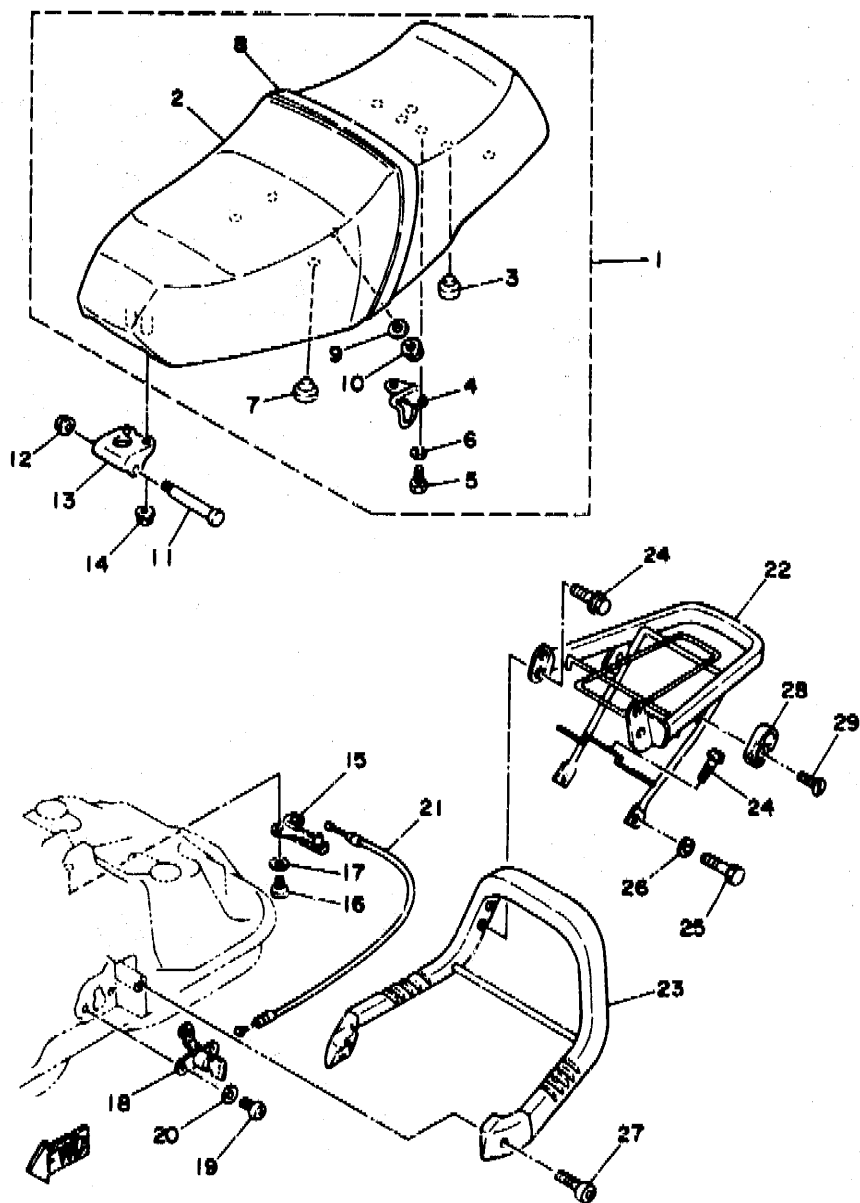


50V010-4180

C10

FIG. 19 SEAT

REF. NO.	PART NO.	DESCRIPTION	Q'TY	REMARKS
1	2YM-24730-00	DOUBLE SEAT ASSY	1	
2	2YM-W247F-00	.COVER, seat assy	1	
3	4G0-24723-00	.DAMPER, seat	2	
4	50W-24728-00	.BRACKET, seat	1	
5	97013-06012	.BOLT	2	
6	92990-06100	.WASHER, spring	2	
7	1L9-24741-00	.PAD, seat	2	
8	50V-24734-00	.BAND, seat	1	
9	92990-08200	.WASHER, plain	2	
10	95702-08500	.NUT, flange	2	
11	90109-06504	BOLT	1	
12	95701-06500	NUT, flange	1	
13	2T4-24726-10	HINGE, seat	1	
14	95701-06500	NUT, flange	2	
15	50W-W247E-00	SEAT LOCK ASSY	1	
16	92501-06014	SCREW, pan head	2	
17	92901-06600	WASHER, plate	2	
18	3CK-W2470-00	SEAT LOCK ASSY	1	
19	92501-06014	SCREW, pan head	2	
20	92901-06600	WASHER, plate	2	
21	50W-2478E-00	WIRE, seat hook	1	
22	2YM-24842-00	CARRIER, rear	1	
23	50X-24819-10	STAY, rear	1	
24	95826-06010	BOLT, flange	6	
25	97313-08016	BOLT	2	
26	92901-08500	WASHER, plate	2	
27	91316-08050	BOLT	2	
28	55E-21308-00	HELMET HANGER ASSY	1	

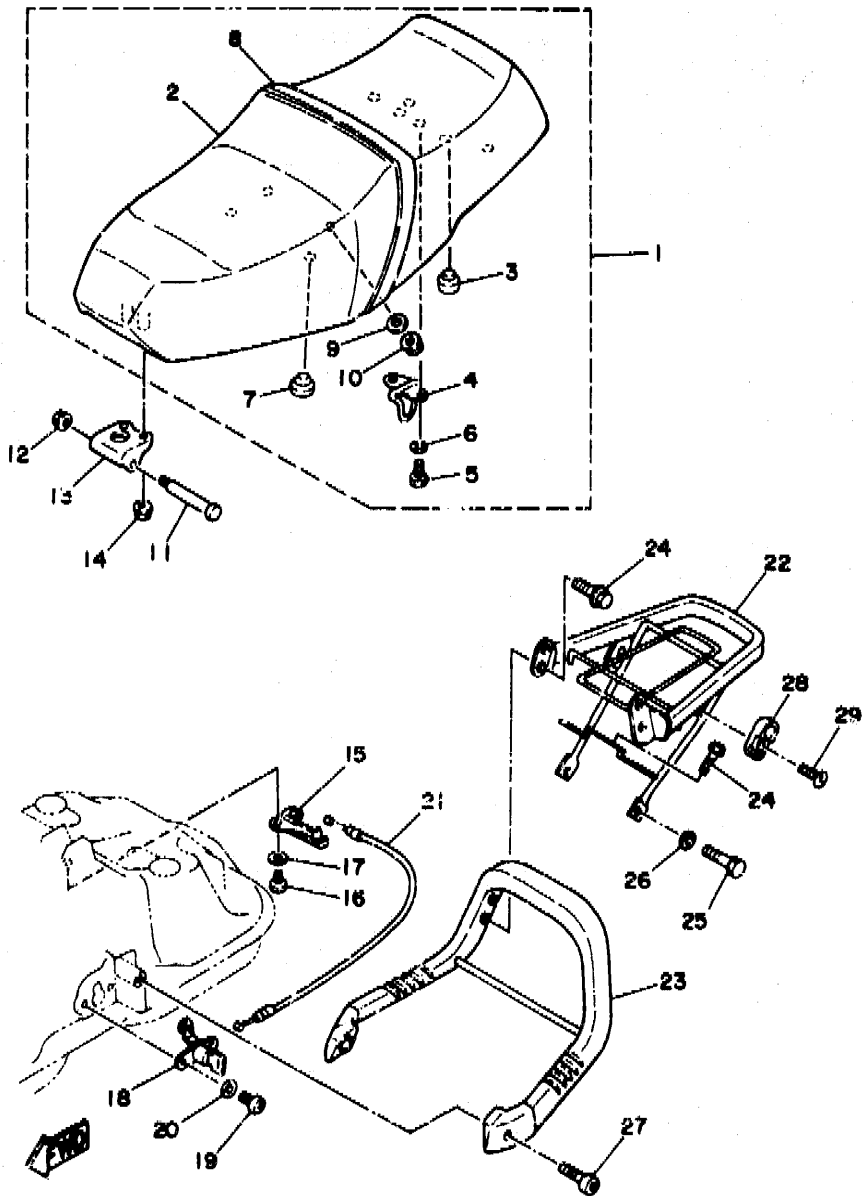


2YMO10-8190

C11

FIG. 19 SEAT

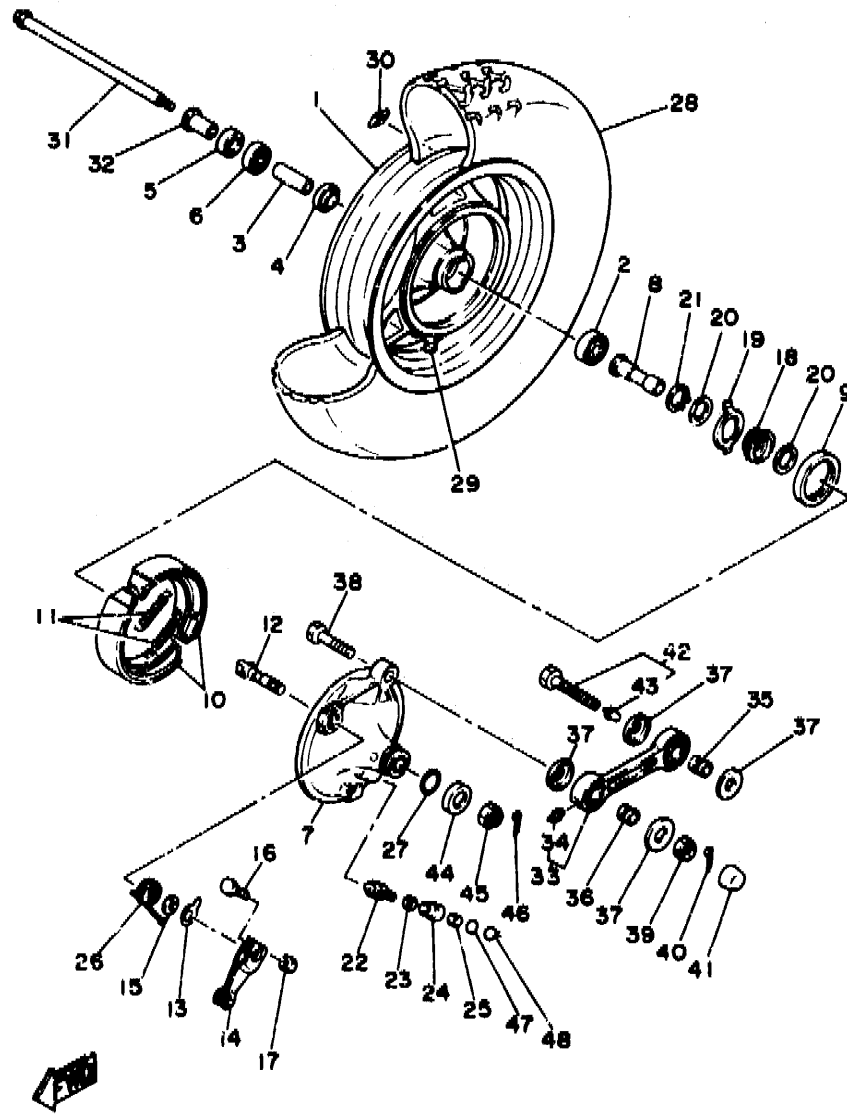
REF. NO.	PART NO.	DESCRIPTION	Q'TY	REMARKS
29	92701-06015	SCREW, flat head	1	



ZYMO10-B190

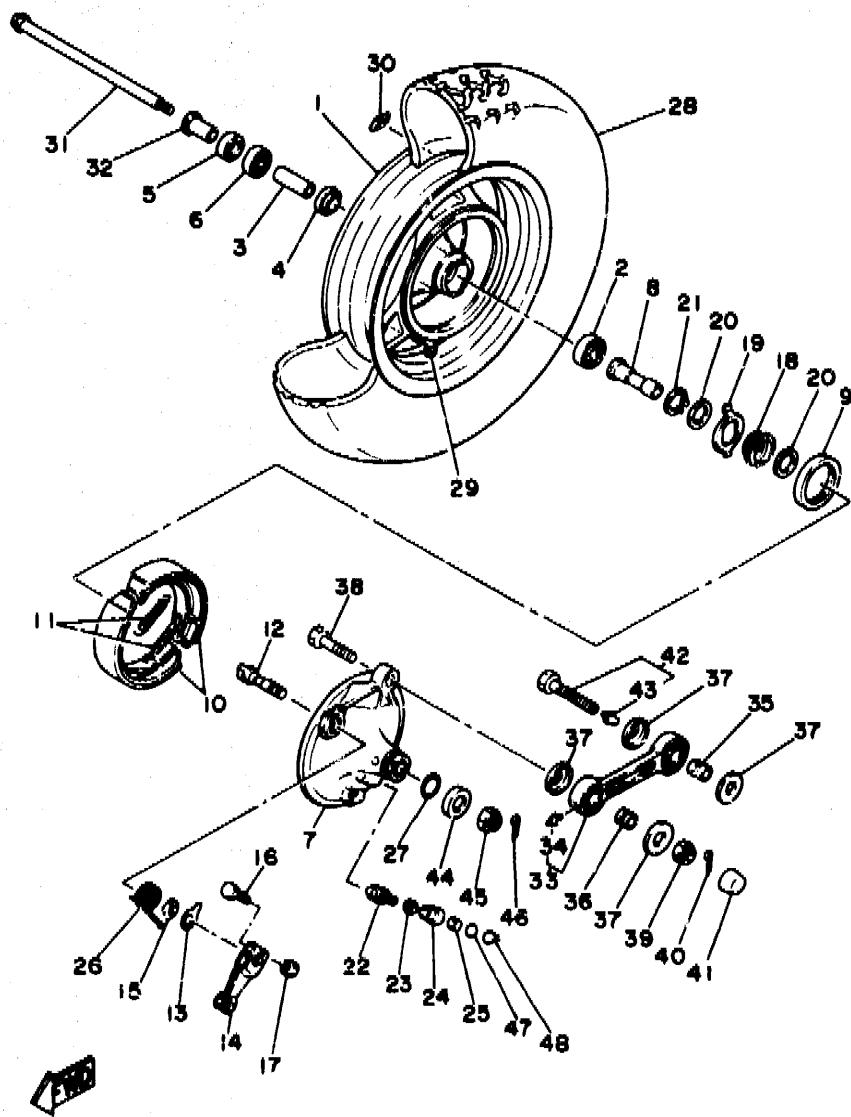
C12

FIG. 20 FRONT WHEEL



50V010-4200

REF. NO.	PART NO.	DESCRIPTION	Q'TY	REMARKS
1	50M-25168-20-35	CAST WHEEL, front	1	SILVER
2	93306-30109	BEARING	1	
3	90560-12261	SPACER	1	
4	109-25315-00	FLANGE, spacer	1	
5	93102-17235	OIL SEAL	1	
6	93306-20113	BEARING (B6201-2RS)	1	
7	50W-25121-02-35	PLATE, brake shoe	1	SILVER
8	90387-120L8	COLLAR	1	
9	93102-47297	OIL SEAL	1	
10	25G-W2535-00	BRAKE SHOE SET	1	
11	90506-17328	SPRING, tension	2	
12	3Y6-25351-00	CAMSHAFT	1	
13	5Y1-2513A-00	PLATE, indicator	1	
14	25G-25155-00	LEVER, camshaft	1	
15	36F-25159-00	SEAL, camshaft	1	
16	90101-06278	BOLT	1	
17	95303-06600	NUT	1	
18	50W-25135-00	GEAR, drive	1	
19	50W-25149-00	CLUTCH, meter	1	
20	90201-244J3	WASHER, plate	2	
21	93410-24042	CIRCLIP	1	
22	36F-25138-00	GEAR, meter	1	
23	90201-07076	WASHER, plate	1	
24	109-25136-00	BUSH	1	
25	93104-07003	OIL SEAL	1	
26	90508-26616	SPRING, torsion	1	
27	93210-23326	O-RING	1	
28	94110-103T5	TIRE (100/90-10 56J K825F TLD0TN)	1	DUNLOP



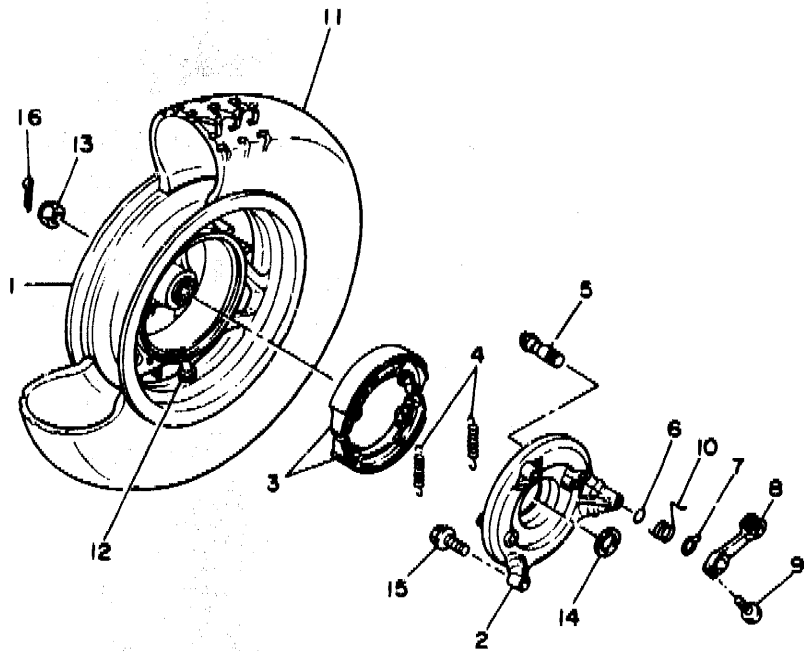
50V010-4200

FIG. 20 FRONT WHEEL

REF. NO.	PART NO.	DESCRIPTION	Q'TY	REMARKS
29	93900-00010	VALVE, rim	1	DUNLOP
30	1A1-25398-01	BALANCER, wheel (20G)	1	UN
	1A1-25399-00	BALANCER, wheel (10G)	1	UN
	2M0-25399-00	BALANCER, wheel (30G)	1	UN
31	5J0-25181-00	AXLE, wheel	1	
32	90387-120L7	COLLAR	1	
33	50W-25371-00	BAR, tension	1	
34	93700-04002	.NIPPLE, grease	1	
35	90387-100L9	COLLAR	1	
36	90387-101H3	COLLAR	1	
37	50W-23383-00	COVER, dust seal 1	4	
38	90102-10059	BOLT, with hole	1	
39	95611-10100	NUT, u	1	
40	91401-20015	PIN, cotter	1	
41	50W-25188-00	CAP	1	
42	50W-25178-00	BOLT, tension bar	1	
43	93700-04002	.NIPPLE, grease	1	
44	90209-12259	WASHER	1	
45	90171-12042	NUT, castle	1	
46	91401-30030	PIN, cotter	1	
47	93210-14104	O-RING	1	
48	102-25197-00	RING, stop	1	

FIG. 21 REAR WHEEL

REF. NO.	PART NO.	DESCRIPTION	Q'TY	REMARKS
1	50M-25338-20-35	CAST WHEEL, rear	1	SILVER
2	50W-25321-00	PLATE, brake shoe	1	
3	25G-W2536-01	BRAKE SHOE SET	1	
4	90506-17328	SPRING, tension	2	
5	2RH-25351-00	CAMSHAFT	1	
6	36F-25159-00	SEAL, camshaft	1	
7	50W-2533A-00	PLATE, indicator	1	
8	371-25355-02	LEVER, camshaft	1	
9	90101-06291	BOLT	1	
10	90508-26653	SPRING, torsion	1	
11	94110-103T4	TIRE (100/90-10 56J K825 TLDOTN)	1	DUNLOP
12	93900-00070	VALVE, rim	1	DUNLOP
13	90185-14124	NUT, self-locking	1	
14	90201-20276	WASHER, plate (1.0T)	1	
15	90119-08128	BOLT, with washer	3	
16	91490-20025	PIN, cotter	1	




50V010-4211

C15

CONTENTS

ENGINE

Cylinder	B2
Crankshaft, Piston	B3
Valve	B4
Air Shroud, Fan	B5
Oil Pump	B6
Intake	B7
Carburetor	B8 ~ B9
Exhaust	B10
Crankcase	B11 ~ B13
Starter Clutch	B14
Clutch	B15 ~ C2
Transmission	C3

Flasher Light	D9
Meter	D10
Headlight	D11
Taillight	D12
Handle Switch, Lever	D13
Electrical 1	D14 ~ D15
Electrical 2	E2

INDEX

Numerical Index	M1 ~ M3
-----------------------	---------

CHASSIS

Frame	C4
Fender	C5
Side Cover	C6
Rear Arm, Suspension	C7
Steering	C8 ~ C9
Fuel Tank	C10
Seat	C11 ~ C12
Front Wheel	C13 ~ C14
Rear Wheel	C15
Steering Handle, Cable	D2
Stand, Footrest	D3 ~ D4
Leg Shield	D5
Cowling 1	D6
Generator	D7
Starting Motor	D8

CONTENTS

ENGINE

Cylinder	B2
Crankshaft, Piston	B3
Valve	B4
Air Shroud, Fan	B5
Oil Pump	B6
Intake	B7
Carburetor	B8 ~ B9
Exhaust	B10
Crankcase	B11 ~ B13
Starter Clutch	B14
Clutch	B15 ~ C2
Transmission	C3

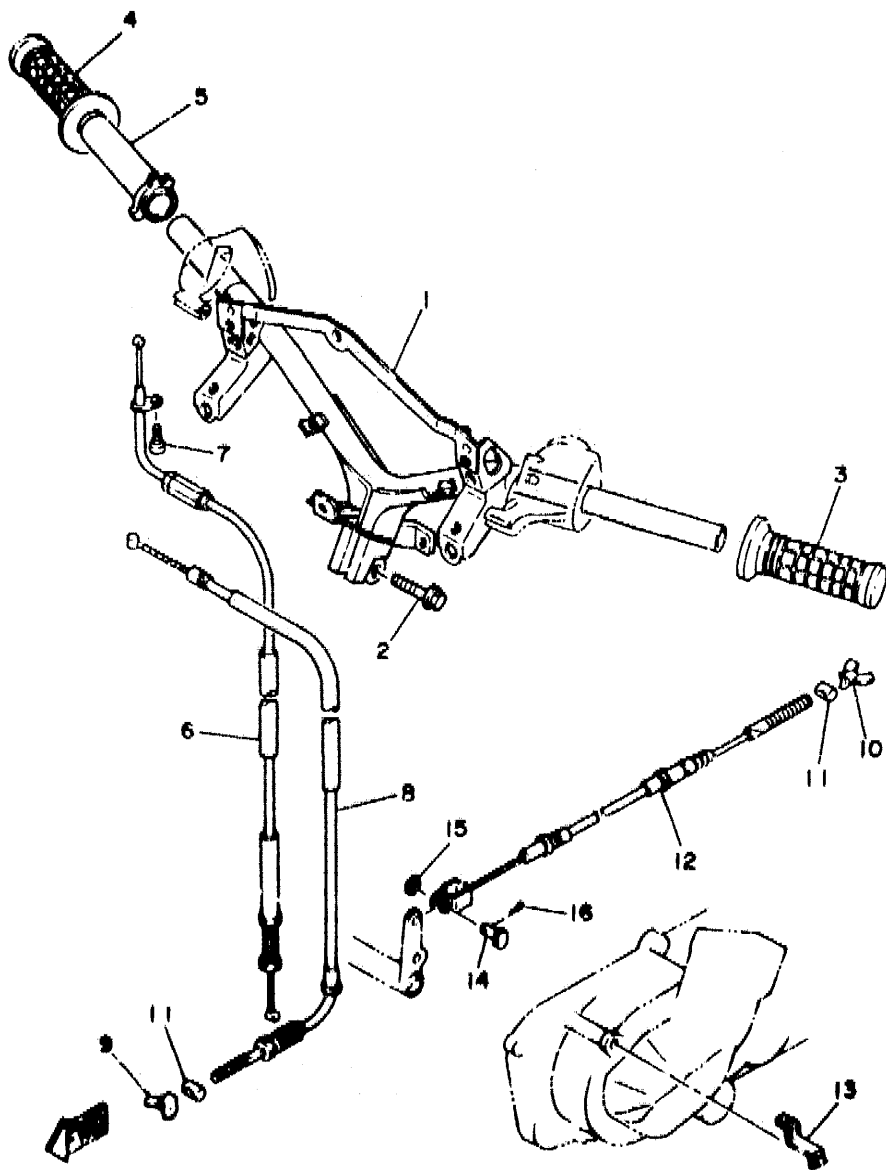
Flasner Light	D9
Meter	D10
Headlight	D11
Taillight	D12
Handle Switch, Lever	D13
Electrical 1	D14 ~ D15
Electrical 2	E2

INDEX

Numerical Index	M1 ~ M3
-----------------------	---------

CHASSIS

Frame	C4
Fender	C5
Side Cover	C6
Rear Arm. Suspension	C7
Steering	C8 ~ C9
Fuel Tank	C10
Seat	C11 ~ C12
Front Wheel	C13 ~ C14
Rear Wheel	C15
Steering Handle, Cable	D2
Stand, Footrest	D3 ~ D4
Leg Shield	D5
Cowling 1	D6
Generator	D7
Starting Motor	D8

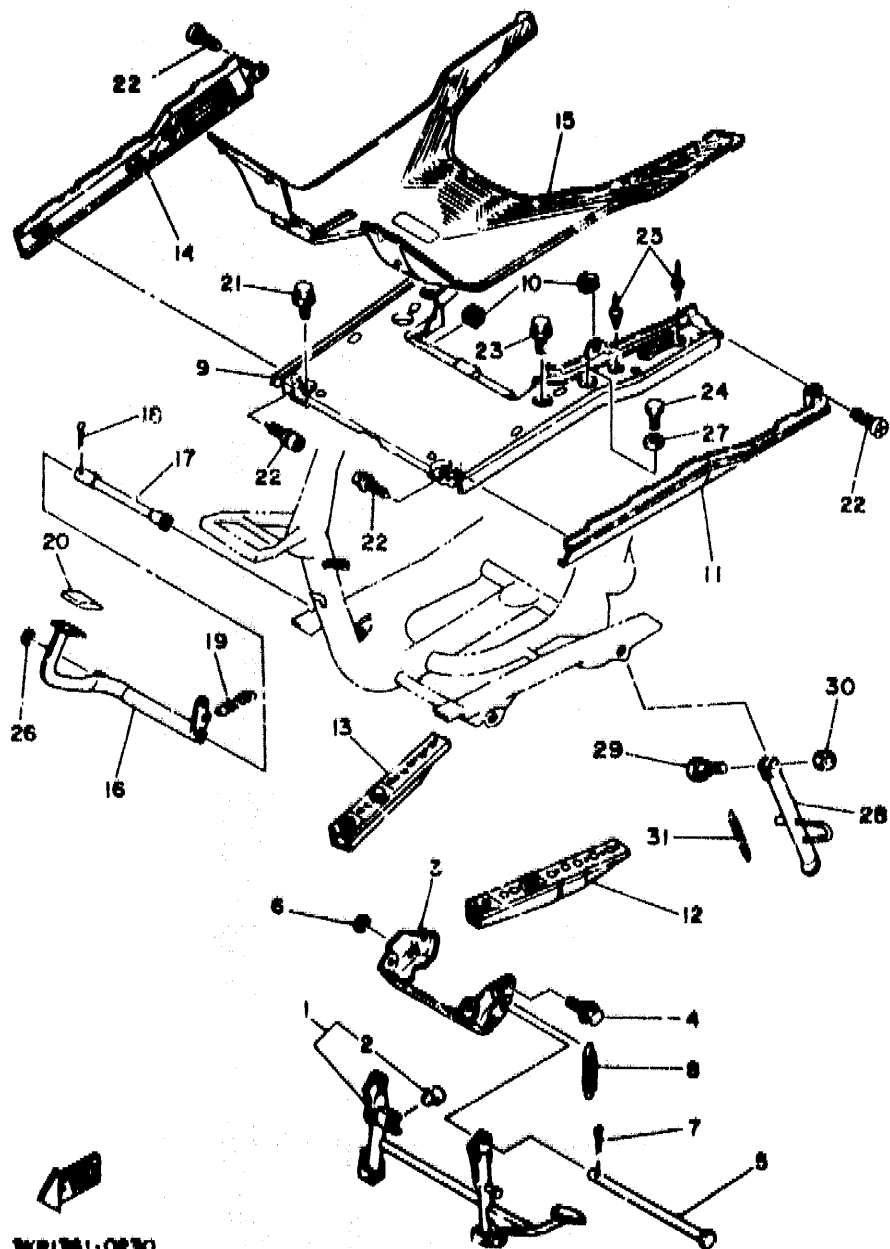


ZYM010-8220

FIG. 22 STEERING HANDLE. CABLE

REF. NO.	PART NO.	DESCRIPTION	Q'TY	REMARKS
1	50W-2611J-20	HANDLE COMP.	1	
2	90105-10393	BOLT, washer based	1	
3	35R-26241-00	GRIP (L.H)	1	
4	35R-26242-00	GRIP (R.H)	1	
5	35R-26243-00	TUBE, throttle guide	1	
6	50W-26311-01	CABLE, throttle 1	1	
7	98501-05012	SCREW, pan head	1	
8	50W-26341-00	CABLE, brake	1	
9	90175-06013	NUT, wing	1	
10	90175-06019	NUT, wing	1	
11	90249-12008	PIN	2	
12	50W-26351-00	CABLE, brake	1	
13	50W-26379-00	GUIDE, cable	1	
14	90240-06108	PIN, clevis	1	
15	92901-06200	WASHER, plain	1	
16	91401-20015	PIN, cotter	1	

D2



3KR1361-0230

FIG. 23 STAND, FOOTREST

REF. NO.	PART NO.	DESCRIPTION	Q'TY	REMARKS
1	50M-27111-00	STAND, main	1	
2	5G3-27114-00	STOPPER, main stand	1	
3	50M-27151-00	BRACKET, main stand	1	
4	95811-00016	BOLT, flange	4	
5	50M-27112-00	SHAFT, main stand	1	
6	92901-12200	WASHER, plain	1	
7	91401-25020	PIN, cotter	1	
8	90506-20308	SPRING, tension	1	
9	50W-27481-30	BOARD, footrest	1	
10	25G-21535-00	NUT 1	4	
11	50W-27486-00-AJ	COVER 1	1	UR STORMY RED
	50W-27486-00-GE	COVER 1	1	UR SILKY WHITE
	50W-27486-00-OK	COVER 1	1	UR FEATHER BLACK
12	50W-27412-00	BRACKET, footrest 1	1	
13	50W-27422-00	BRACKET, footrest 2	1	
14	50W-27487-00-AJ	COVER 2	1	UR STORMY RED
	50W-27487-00-GE	COVER 2	1	UR SILKY WHITE
	50W-27487-00-OK	COVER 2	1	UR FEATHER BLACK
15	50W-27483-30	MAT 1	1	
16	50W-27211-00	PEDAL, brake	1	
17	50W-27212-00	SHAFT, brake pedal	1	
18	91401-20025	PIN, cotter	1	
19	90506-20193	SPRING, tension	1	
20	50W-27285-00	CAP	1	
21	90119-06018	BOLT, with washer	2	
22	90164-04008	SCREW, tapping	8	
23	95811-00035	BOLT, flange	2	
24	97313-06045	BOLT	2	

D3

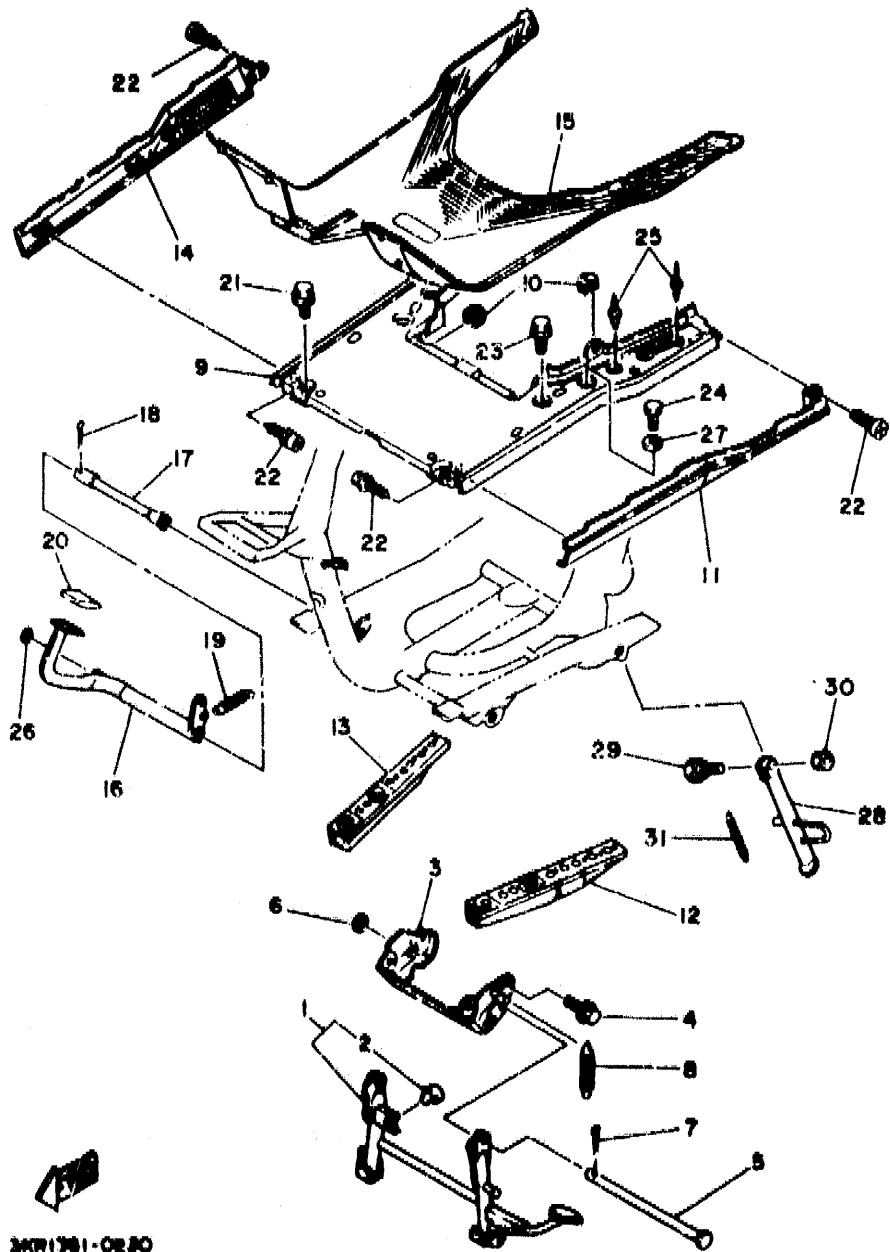
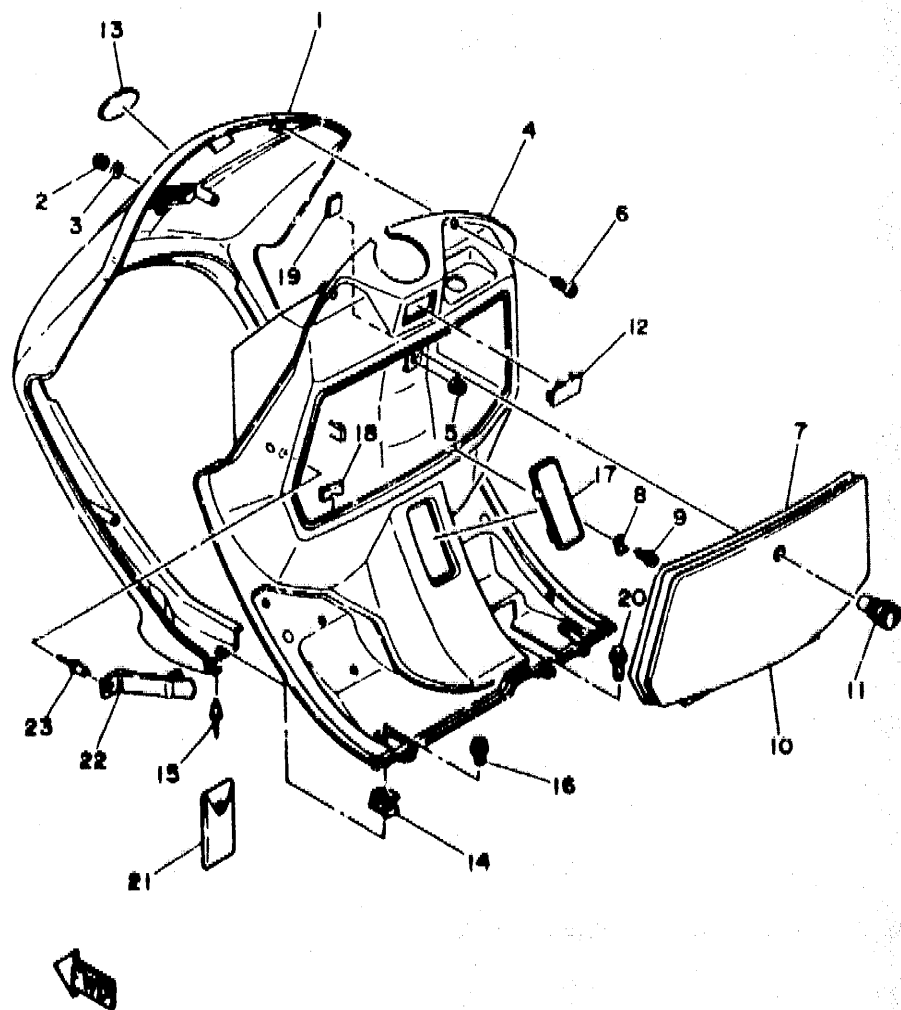


FIG. 23 STAND. FOOTREST

REF. NO.	PART NO.	DESCRIPTION	Q'TY	REMARKS
25	90267-40054	RIVET, blind	4	
26	90201-14411	WASHER, plate	1	
27	90201-06M02	WASHER, plate	2	
28	50M-27311-00	STAND, side	1	UR FOR SIDE STAND
29	90109-10473	BOLT	1	UR FOR SIDE STAND
30	95301-10700	NUT	1	UR FOR SIDE STAND
31	90506-20158	SPRING, tension	1	UR FOR SIDE STAND

34R1361-0230

D4



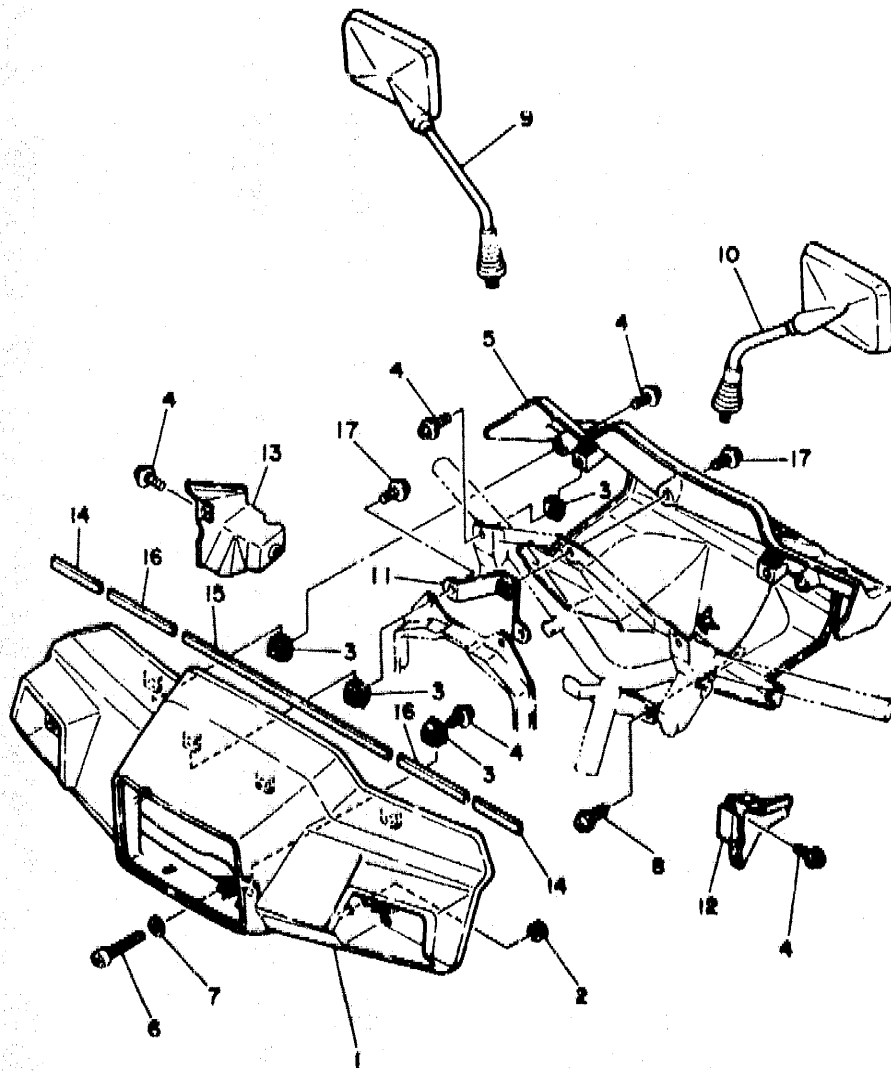
3KR1361-9241

FIG. 24 LEG SHIELD

REF. NO.	PART NO.	DESCRIPTION	Q'TY	REMARKS
1	50W-28311-00-AJ	LEG SHIELD 1	1	UR STORMY RED
	50W-28311-00-GE	LEG SHIELD 1	1	UR SILKY WHITE
	50W-28311-00-OK	LEG SHIELD 1	1	UR FEATHER BLACK
2	95380-06800	NUT	3	
3	90201-060H9	WASHER, plate	3	
4	50W-28312-30	LEG SHIELD 2	1	
5	95701-06500	NUT, flange	1	
6	90167-05016	SCREW, tapping	6	
7	50W-28371-01	DAMPER	1	
8	35R-21796-00	HINGE	2	
9	07706-40512	SCREW, tapping	2	
10	50W-28313-30	LID	1	
11	26H-2170E-00	SIDE COVER LOCK ASSY	1	
12	50W-2835U-30	PANEL 1	1	
13	2YM-21578-00	EMBLEM	1	
14	50W-28321-00	STAY, leg shield (LEFT)	2	
15	90267-40073	RIVET, blind	2	
16	90159-06013	SCREW, with washer	2	
17	20H-28349-A0	CAP	1	MEDIUM GRAY
18	50M-2834J-00	CAP 2	2	
19	50M-2834V-00	PROTECTOR 1	1	
20	90119-06018	BOLT, with washer	1	
21	50M-28100-00	TOOL KIT	1	
22	33M-21376-00	BAND, tool	1	
23	90267-40054	RIVET, blind	1	

D5

FIG. 25 CONTIN 1



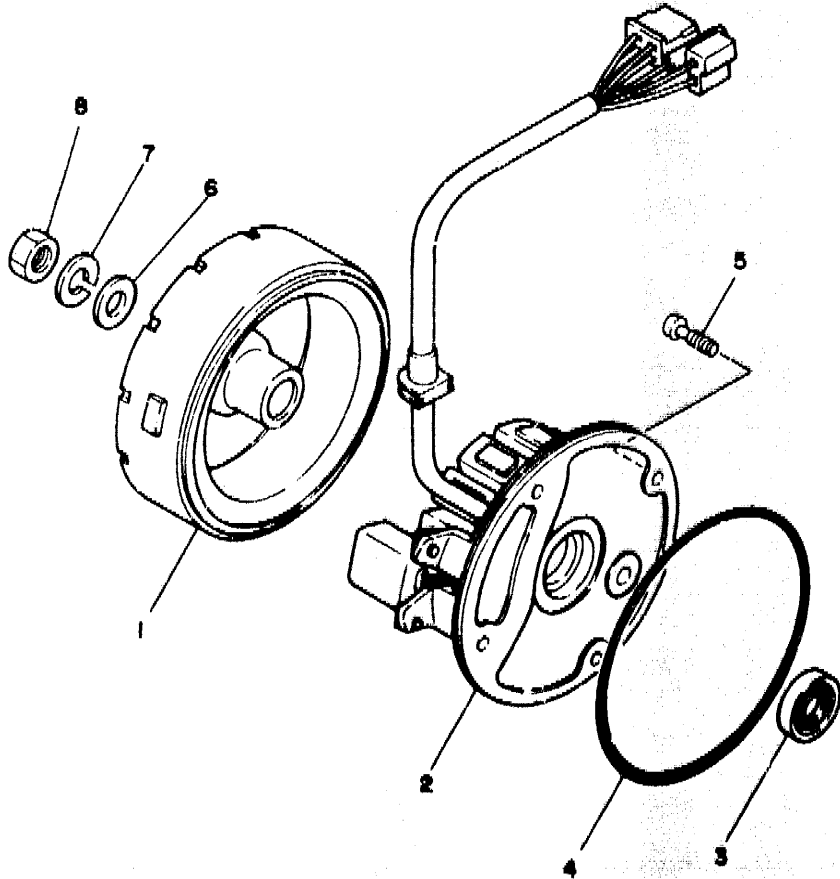
REF. NO.	PART NO.	DESCRIPTION	Q'TY	REMARKS
1	50W-26143-00-AJ	COVER, handlebar upper 1	1	UR STORMY RED
	50W-26143-00-GE	COVER, handlebar upper 1	1	UR SILKY WHITE
	50W-26143-00-OK	COVER, handlebar upper 1	1	UR FEATHER BLACK
2	90480-13018	GROMMET	2	
3	35R-26294-00	NUT1	7	
4	90159-05089	SCREW, with washer	7	
5	50W-26145-30	COVER, handlebar upper 2	1	
6	98501-05040	SCREW, pan head	1	
7	92901-05600	WASHER, plate	1	
8	90167-05015	SCREW, tapping	2	
9	50M-26290-00	BACK MIRROR ASSY (RIGHT)	1	
10	50M-26290-10	BACK MIRROR ASSY (LEFT)	1	
11	50W-26223-00	BRACKET, handle 1	1	
12	50W-26372-00	COVER, handle lever 1	1	
13	50W-2637A-00	COVER, handle lever 2	1	
14	3CV-28378-00	PAD	2	
15	3CV-21747-00	DAMPER	1	
16	3CV-21747-00	DAMPER	2	
17	90159-05089	SCREW, with washer	3	

80V010-4250

D6

FIG. 26 GENERATOR

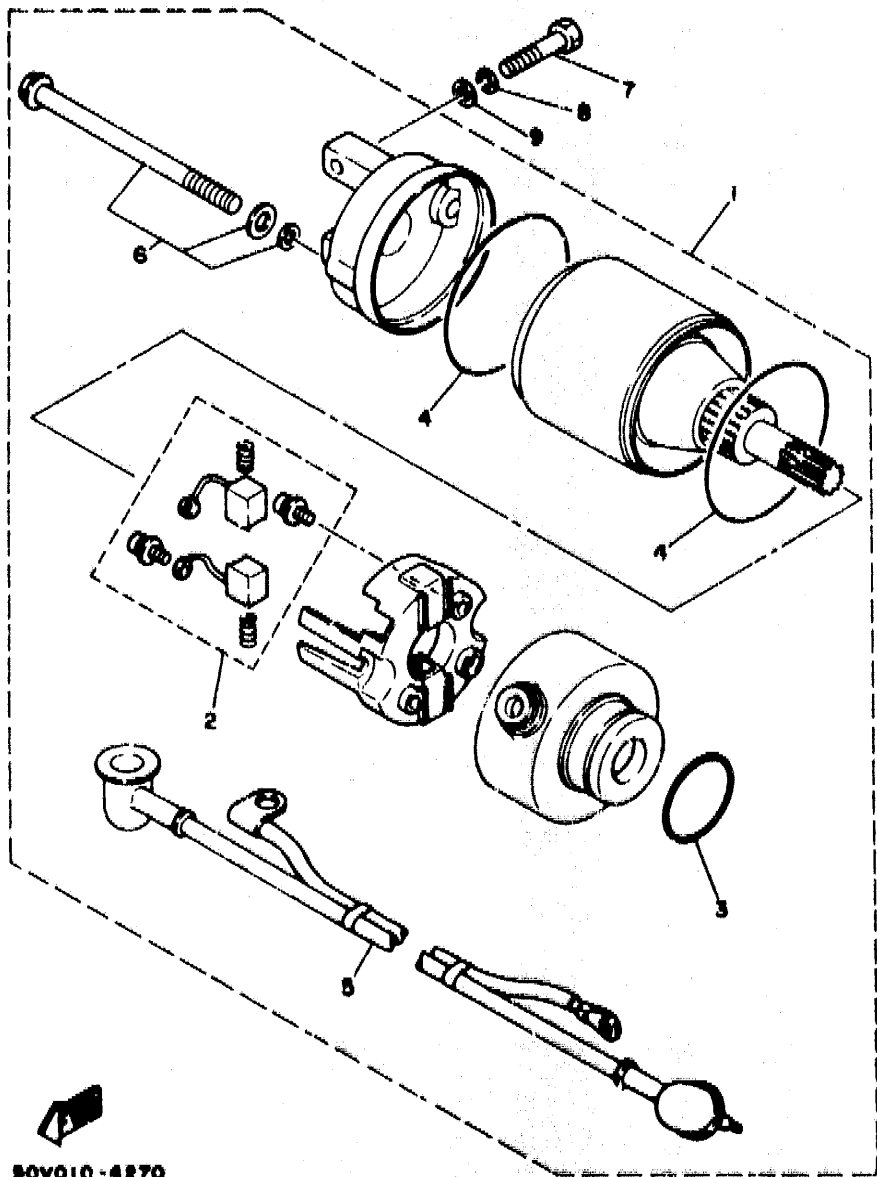
REF. NO.	PART NO.	DESCRIPTION	Q'TY	REMARKS
1	2YM-81450-00	ROTOR ASSY	1	
2	50M-81410-10	STATOR ASSY	1	
3	93102-19276	OIL SEAL	1	
4	93211-08563	O-RING	1	
5	97802-06020	SCREW, pan head	4	
6	92990-12600	WASHER, plate	1	
7	92901-12100	WASHER, spring	1	
8	90170-12181	NUT	1	



50V010-4260

D7

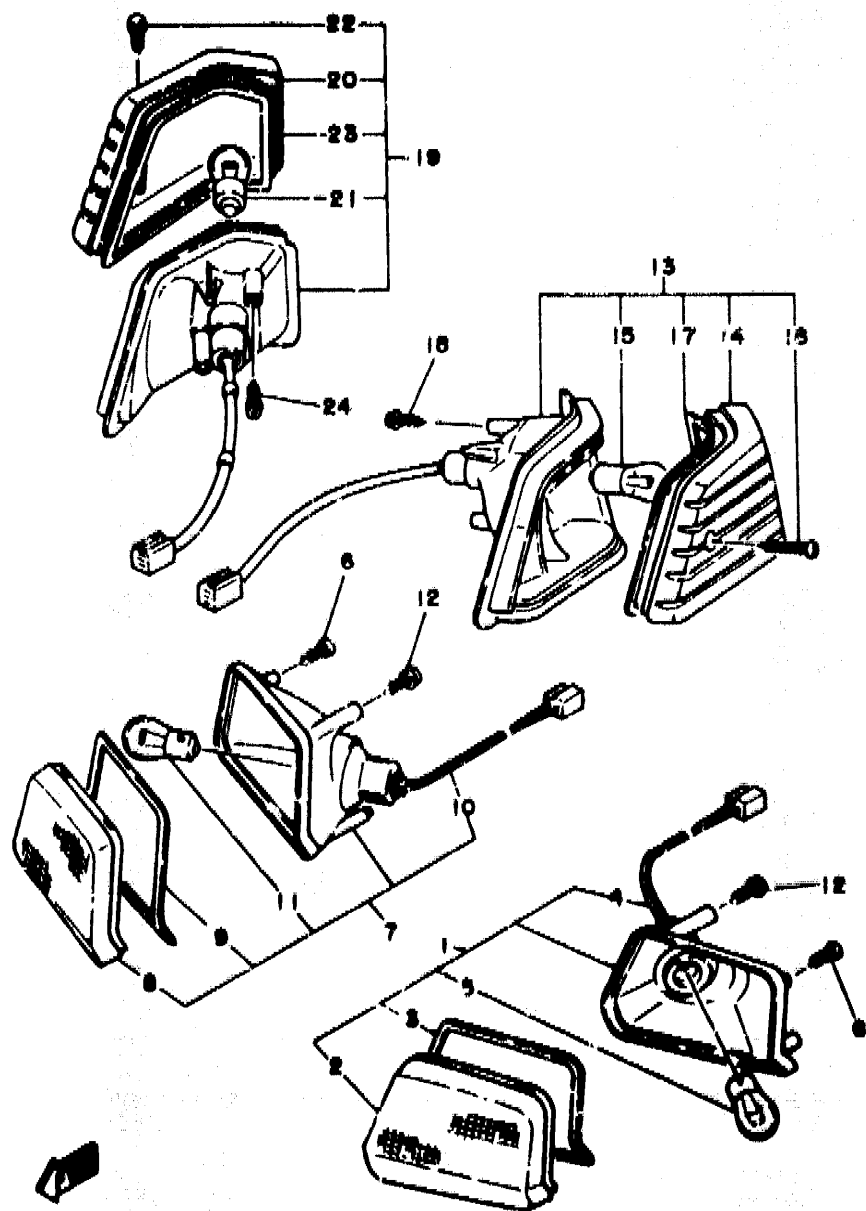
FIG. 27 STARTING MOTOR



REF. NO.	PART NO.	DESCRIPTION	Q'TY	REMARKS
1	2YM-81800-00	STARTING MOTOR ASSY	1	
2	50h-81801-M0	.BRUSH SET	1	
3	93210-25711	.O-RING	1	
4	93210-55669	.O-RING	2	
5	50M-8183G-M0	.CORD COMP.	1	
6	50M-81828-M0	.BOLT 2	2	
7	97001-06025	BOLT	2	
8	92990-06100	WASHER, spring	2	
9	92901-06600	WASHER, plate	2	

80V010-4270

D8



50W331-0200

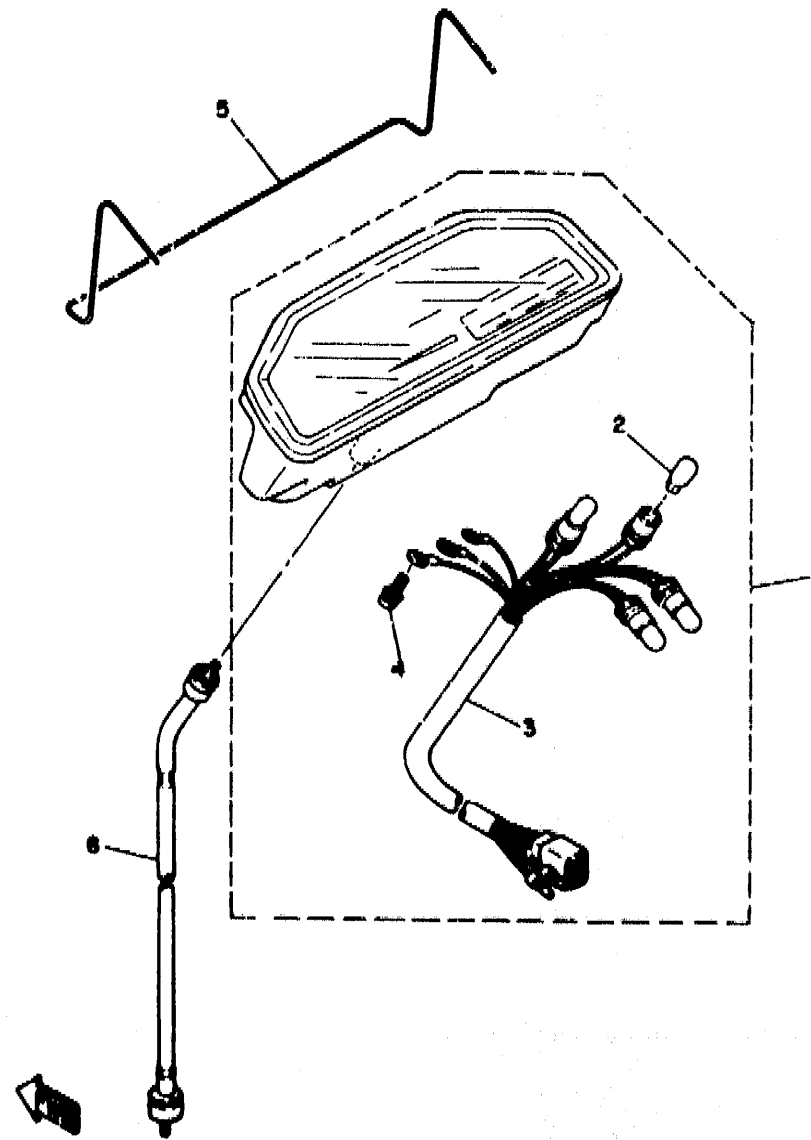
FIG. 28 FLASHER LIGHT

REF. NO.	PART NO.	DESCRIPTION	Q'TY	REMARKS
1	50W-83310-00	FRONT FLASHER LIGHT ASSY 1	1	
2	50W-83312-00	.LENS, flasher (L.H)	1	
3	50W-83313-00	.GASKET, flasher lens	1	
4	50W-8331E-00	.CORD ASSY	1	
5	32H-83331-00	.BULB, flasher (12V-21W)	1	
6	90167-05015	SCREW, tapping	2	
7	50W-83320-00	FRONT FLASHER LIGHT ASSY 2	1	
8	50W-83322-00	.LENS, flasher (R.H)	1	
9	50W-83313-00	.GASKET, flasher lens	1	
10	50W-8332E-00	.CORD ASSY	1	
11	32H-83331-00	.BULB, flasher (12V-21W)	1	
12	97780-50120	SCREW, tapping	2	
13	50W-83330-00	REAR FLASHER LIGHT ASSY 1	1	
14	25G-83332-00	.LENS, flasher (L.H)	1	
15	32H-83331-00	.BULB, flasher (12V-21W)	1	
16	97780-40130	.SCREW, tapping	1	
17	32H-83313-00	.GASKET, flasher lens	1	
18	97780-60116	SCREW, tapping	2	
19	50W-83340-00	REAR FLASHER LIGHT ASSY 2	1	
20	25G-83342-00	.LENS, flasher (R.H)	1	
21	32H-83331-00	.BULB, flasher (12V-21W)	1	
22	97780-40130	.SCREW, tapping	1	
23	32H-83313-00	.GASKET, flasher lens	1	
24	97780-60116	SCREW, tapping	2	

D9

FIG. 29 METER

REF. NO.	PART NO.	DESCRIPTION	Q'TY	REMARKS
1	3KR-83510-00	SPEEDOMETER ASSY	1	
2	1G1-84744-00	BULB (12V-3.4W)	4	
3	3KR-83509-00	SOCKET CORD ASSY	1	
4	90159-03102	SCREW, with washer	3	
5	50W-83515-00	SPRING, meter	1	
6	50W-83550-01	SPEEDOMETER CABLE ASSY	1	



3KR1361-9290

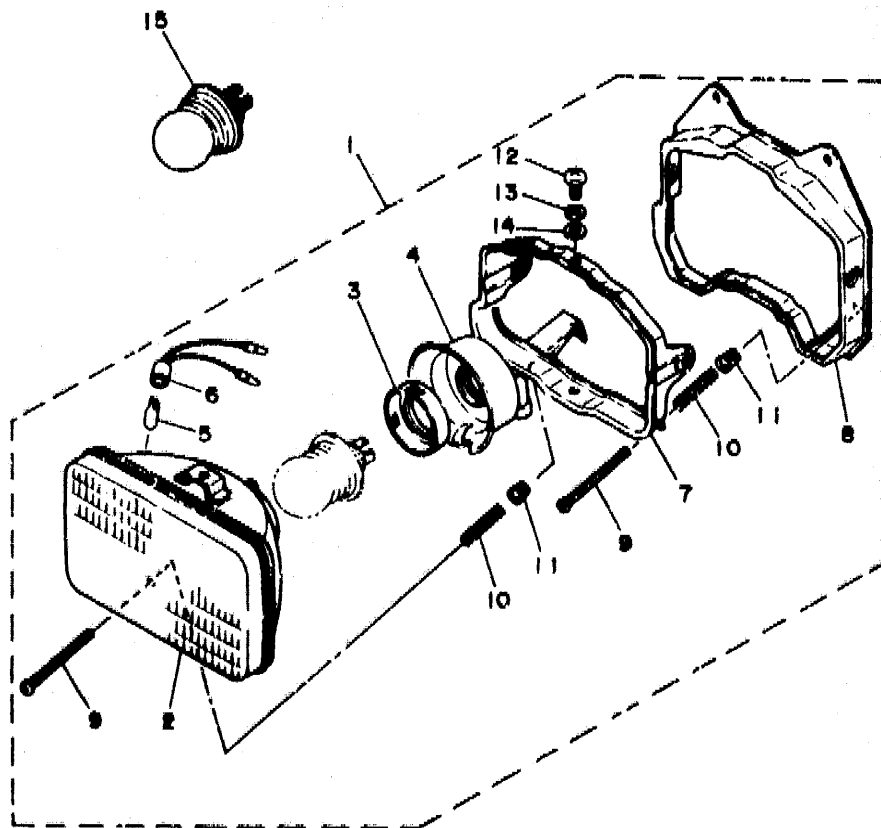


FIG. 30 HEADLIGHT

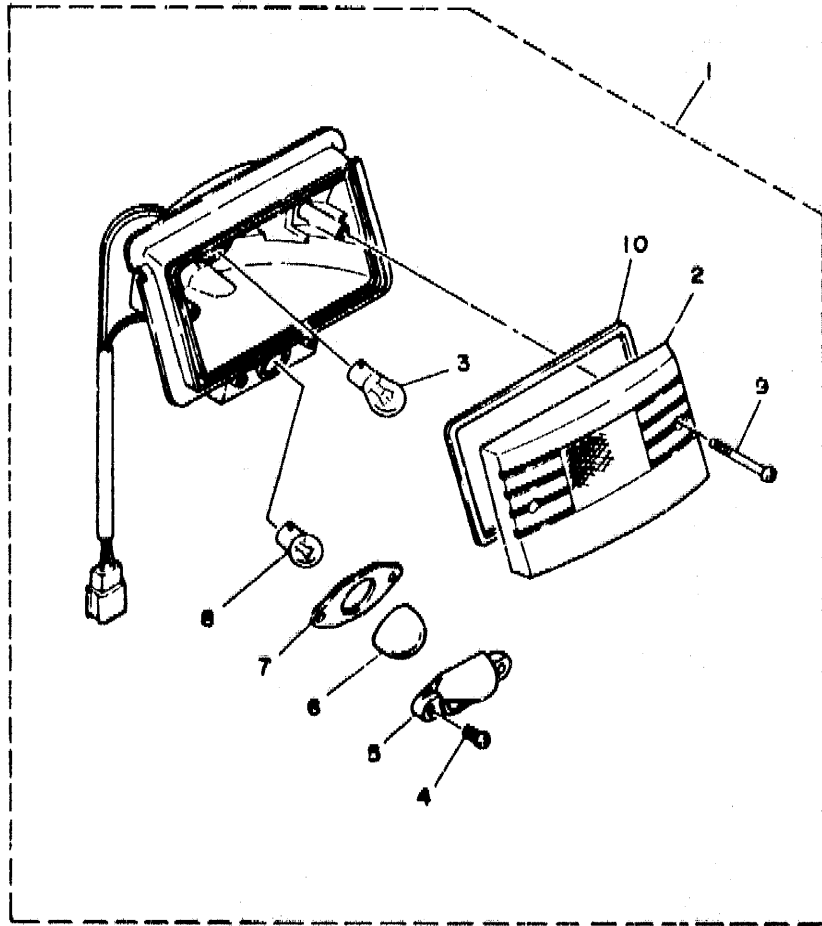
REF. NO.	PART NO.	DESCRIPTION	Q'TY	REMARKS
1	50Y-84303-40	HEADLIGHT UNIT ASSY	1	
2	50Y-84320-40	.LENS ASSY	1	
3	341-84393-40	.HOLDER, bulb	1	
4	46X-84396-00	.COVER	1	
5	4E2-84347-00	.BULB (12V-4W)	1	
6	34L-84346-00	.SOCKET, pilot light	1	
7	50W-84395-00	.RING, retaining	1	
8	50W-84394-00	.RING, mounting	1	
9	98501-04050	.SCREW, pan head	2	
10	341-84332-60	.SPRING, screw	2	
11	50W-84334-00	.NUT, adjusting	2	
12	50W-84333-00	.SCREW	4	
13	92990-J5100	.WASHER, spring	4	
14	92901-05600	.WASHER, plate	4	
15	*	BULB, head light (12V45/4CW)	1	LM

50W351-5300

D11

FIG. 31 TAILLIGHT

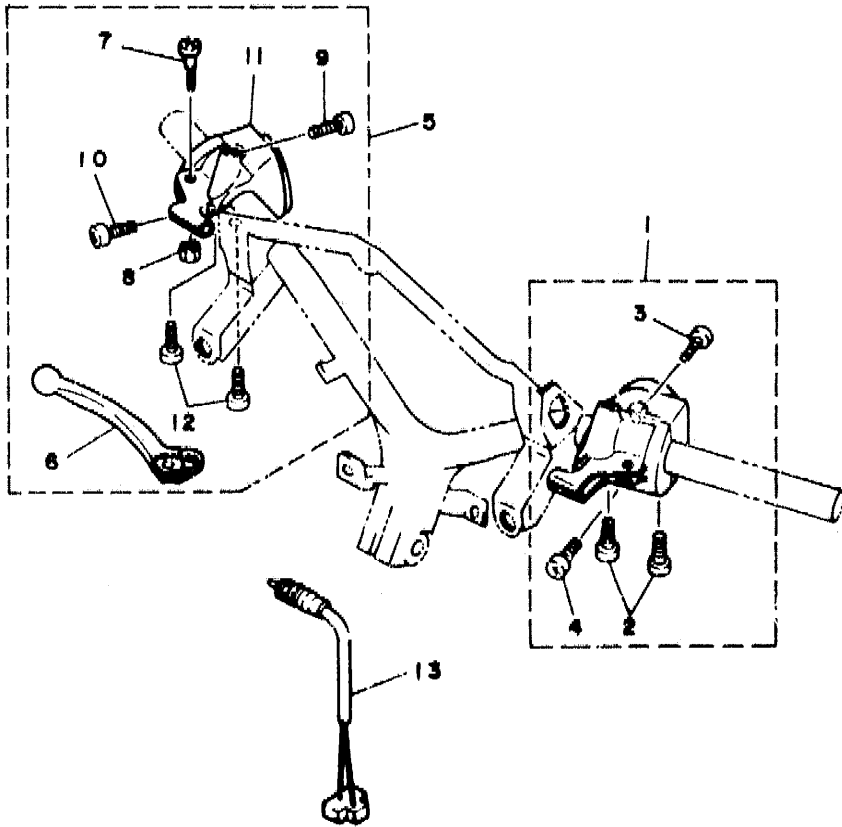
REF. NO.	PART NO.	DESCRIPTION	Q'TY	REMARKS
1	51F-84710-41	TAILLIGHT UNIT ASSY	1	
2	25G-84721-01	.LENS, taillight	1	
3	35Y-84714-40	.BULB, taillight (12V-21/5W)	1	
4	97706-40512	.SCREW, tapping	2	
5	25G-84747-01	.COVER, licence light	1	
6	25G-84743-01	.LENS, licence light	1	
7	25G-84742-00	.SEAT, base	1	
8	34M-84714-00	.BULB (12V-5W)	1	
9	2E9-84524-00	.SCREW, lens fitting	2	
10	32H-84723-00	.GASKET, tail lens	1	



SKR1261-9310

FIG. 32 HANDLE SWITCH. LEVER

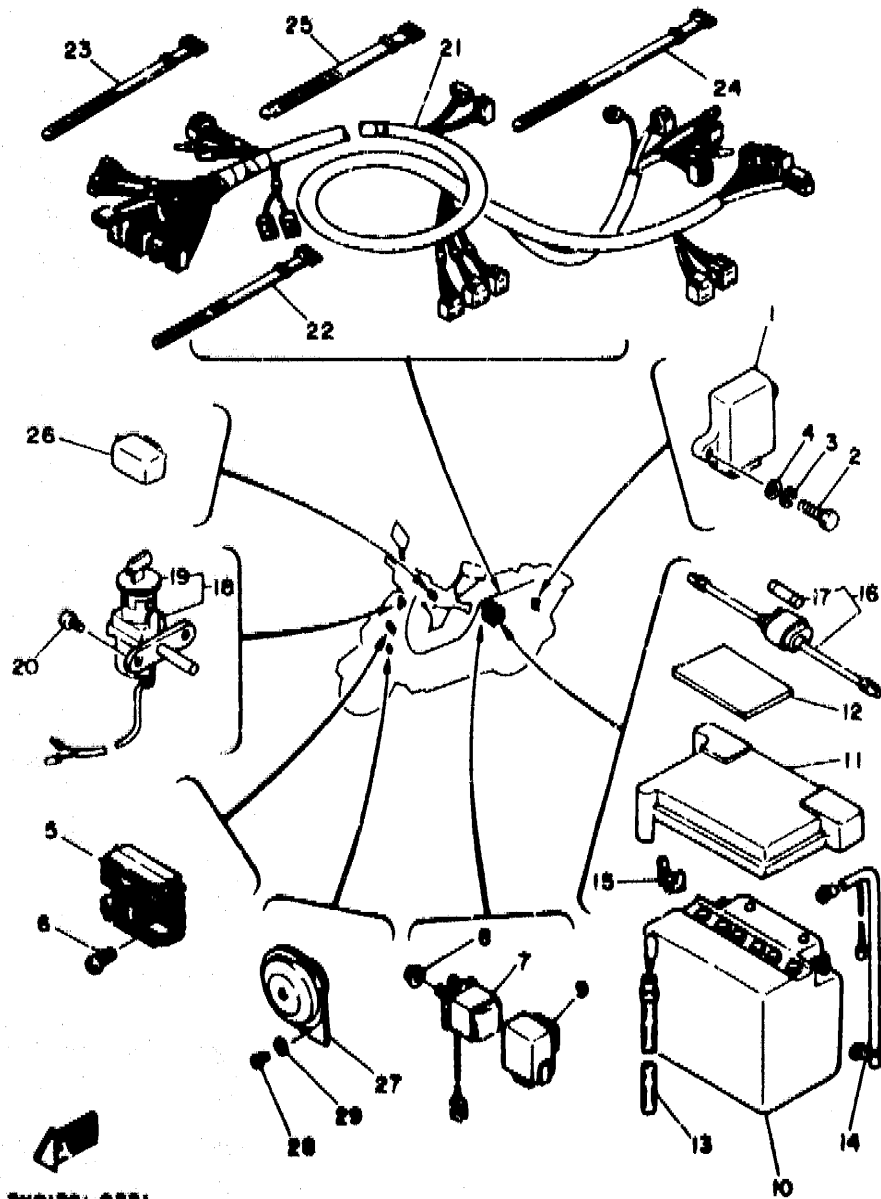
REF. NO.	PART NO.	DESCRIPTION	Q'TY	REMARKS
1	50W-83973-30	SWITCH, handle 3	1	
2	98901-04010	.SCREW, bind	2	
3	98506-05020	.SCREW, pan head	1	
4	98506-05012	.SCREW, pan head	1	
5	50W-W8292-30	LEVER HOLDER ASSY (RIGHT)	1	
6	56J-83922-00	.LEVER 2	1	
7	90149-05121	.SCREW	1	
8	95601-05100	.NUT, u	1	
9	98506-05012	.SCREW, pan head	1	
10	98506-05020	.SCREW, pan head	1	
11	50W-82375-30	.SWITCH, handle 2	1	
12	98901-04010	.SCREW, bind	2	
13	50W-33980-00	FRONT STOP SWITCH ASSY	1	



60V010-4321

D13

FIG. 33 ELECTRICAL 1

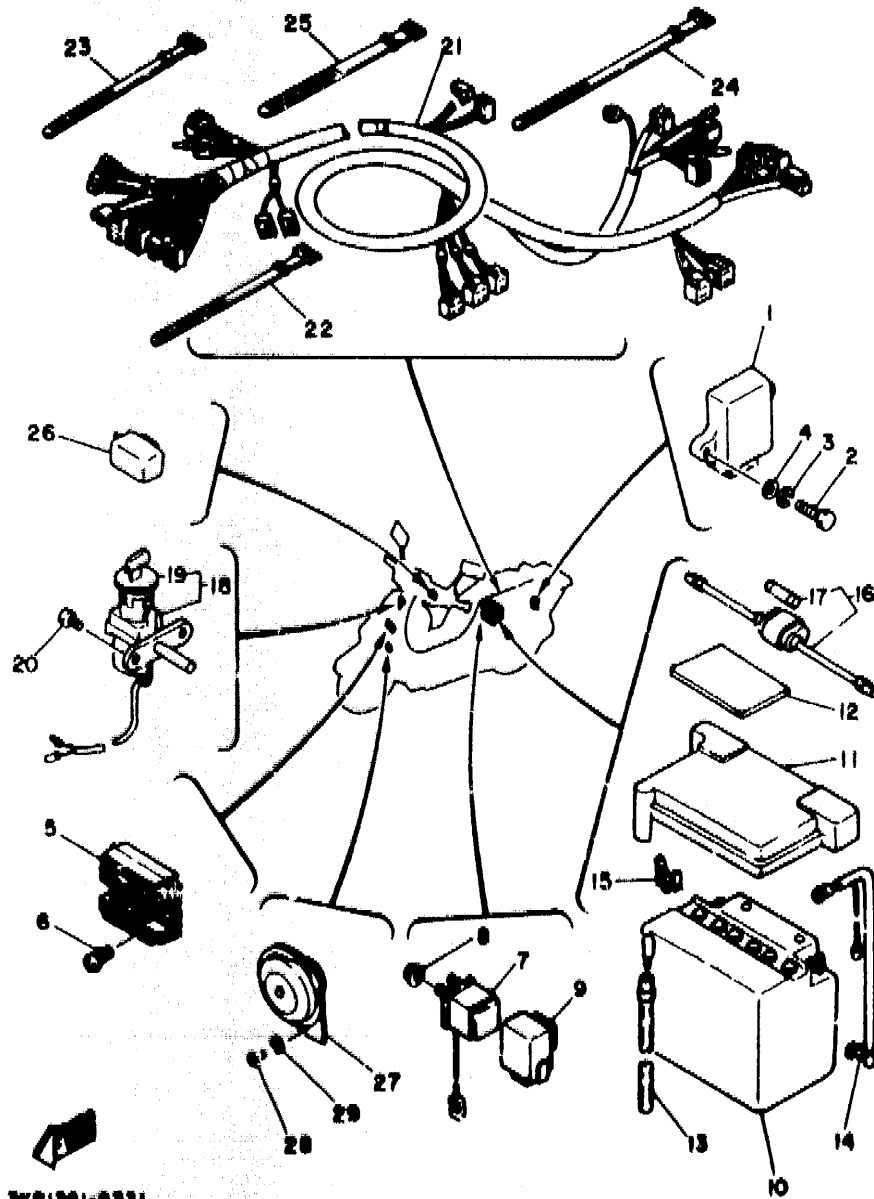


3KR1361-9331

REF. NO.	PART NO.	DESCRIPTION	Q'TY	REMARKS
1	2YM-82305-00	IGNITOR UNIT ASSY	1	
2	97001-06025	BOLT	2	
3	92990-06100	WASHER, spring	2	
4	92990-06600	WASHER, plate	2	
5	36F-81960-A0	RECTIFIER & REGULATOR ASSY	1	
6	92501-06020	SCREW, pan head	2	
7	50W-81940-10	STARTER SWITCH ASSY	1	
8	95701-06500	NUT, flange	2	
9	50M-81950-00	RELAY ASSY	1	
10	1JE-82110-60	BATTERY ASSY (GS 6M7CZ-3D)	1	
11	50W-82129-00	COVER, battery	1	
12	50W-82121-00	PAD, battery	1	
13	90445-08336	HOSE	1	
14	50W-82115-00	WIRE, plus lead	1	
15	90464-06053	CLAMP	1	
16	2UJ-82150-00	FUSE HOLDER ASSY	1	
17	148-82151-00	.FUSE (20A)	1	
18	50M-82501-30	MAIN SWITCH STEERING LOCK	1	
19	50W-82552-30	.CAP, switch	1	
20	90149-06228	SCREW	2	
21	3KR-82590-01	WIRE HARNESS ASSY	1	
22	437-83936-11	BAND, switch cord	2	
23	427-82936-01	BAND, switch cord	1	
24	256-83936-01	BAND, switch cord	2	
25	256-83936-00	BAND, switch cord	1	
26	34L-83350-20	FLASHER RELAY ASSY	1	
27	34Y-83371-00	HORN	1	
28	92506-06012	SCREW, pan head	1	

D14

FIG. 33 ELECTRICAL 1



REF. NO.	PART NO.	DESCRIPTION	Q'TY	REMARKS
29	92906-06100	WASHER, spring	1	

3KR1301-9331

D15

CONTENTS

ENGINE

Cylinder	B2
Crankshaft, Piston	B3
Valve	B4
Air Shroud, Fan	B5
Oil Pump	B6
Intake	B7
Carburetor	B8 ~ B9
Exhaust	B10
Crankcase	B11 ~ B13
Starter Clutch	B14
Clutch	B15 ~ C2
Transmission	C3

Flasher Light	D9
Meter	D10
Headlight	D11
Taillight	D12
Handle Switch, Lever	D13
Electrical 1	D14 ~ D15
Electrical 2	E2

INDEX

Numerical Index	M1 - M3
-----------------------	---------

CHASSIS

Frame	C4
Fender	C5
Side Cover	C6
Rear Arm. Suspension	C7
Steering	C8 ~ C9
Fuel Tank	C10
Seat	C11 ~ C12
Front Wheel	C13 ~ C14
Rear Wheel	C15
Steering Handle, Cable	D2
Stand, Footrest	D3 ~ D4
Leg Shield	D5
Cowling 1	D6
Generator	D7
Starting Motor	D8

CONTENTS

ENGINE

Cylinder	B2
Crankshaft, Pinion ..	B3
Valve	B4
Air Shroud, Fan	B5
Oil Pump	B6
Intake	B7
Carburetor	B8 ~ B9
Exhaust	B'0
Crankcase	B11 ~ B13
Starter Clutch	E14
Clutch	B15 ~ C2
Transmission	C3

Flasher Light	D9
Meter	D10
Headlight	D11
Taillight	D12
Handle Switch, Lever	D13
Electrical 1	D14 ~ D15
Electrical 2	E2

INDEX

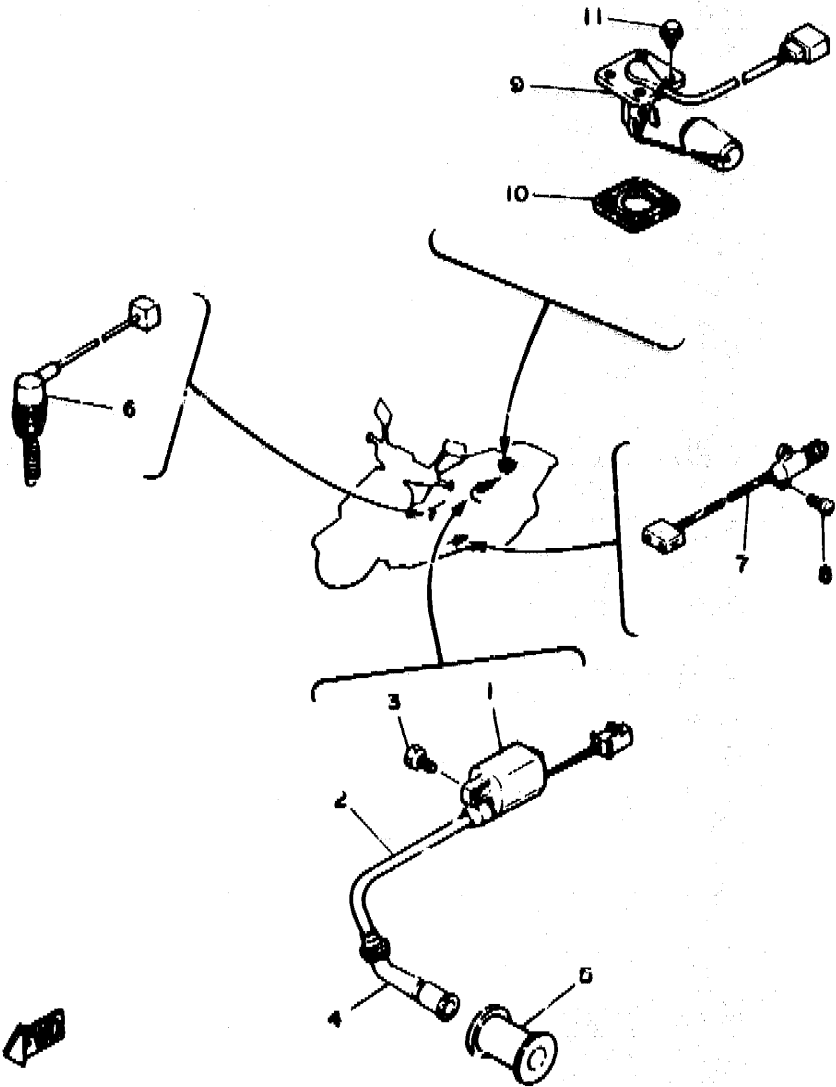
Numerical Index	M1 ~ M3
-----------------------	---------

CHASSIS

Frame	C4
Fender	C5
Side Cover	C6
Rear Arm, Suspension	C7
Steering	C8 ~ C9
Fuel Tank	C10
Seat	C11 ~ C12
Front Wheel	C13 ~ C14
Rear Wheel	C15
Steering Handle, Cable	D2
Stand, Footrest	D3 ~ D4
Lay Shield	D6
Cowling 1	D6
Generator	D7
Starting Motor	D8

FIG. 34 ELECTRICAL 2

REF. NO.	PART NO.	DESCRIPTION	Q'TY	REMARKS
1	25G-82310-10	IGNITION COIL ASSY	1	
2	3AD-82341-00	CORD, high tension 1	1	
3	97001-06020	BOLT	2	
4	33M-82370-01	PLUG CAP ASSY	1	
5	50M-82372-00	SEAL, plug cap	1	
6	50W-82530-01	STOP SWITCH ASSY	1	
7	3KR-82566-00	SWITCH, side stand	1	UK FOR SIDE STAND
8	90157-05079	SCREW, pan head	2	UR FOR SIDE STAND
9	50W-85752-00	SENDER UNIT ASSY, fuel meter	1	
10	5G3-85753-00	GASKET, sender unit	1	
11	90119-05071	BOLT, with washer	4	



1JEBB4-8340

E2

CONTENTS

ENGINE

Cylinder	B2
Crankshaft, Piston	B3
Valve	B4
Air Shroud, Fan	B5
Oil Pump	B6
Intake	B7
Carburetor	B8 ~ B9
Exhaust	B10
Crankcase	B11 ~ B13
Starter Clutch	B14
Clutch	B15 ~ C2
Transmission	C3

Flasher Light	D9
Meter	D10
Headlight	D11
Taillight	D12
Handle Switch, Lever	D13
Electrical 1	D14 ~ D15
Electrical 2	E2

INDEX

Numerical Index	M1 ~ M3
-----------------------	---------

CHASSIS

Frame	C4
Fender	C5
Side Cover	C6
Rear Arm, Suspension	C7
Steering	C8 ~ C9
Fuel Tank	C10
Seat	C11 ~ C12
Front Wheel	C13 ~ C14
Rear Wheel	C15
Steering Handle, Cable	D2
Stand, Footrest	D3 ~ D4
Leg Shield	D5
Cowling 1	D6
Generator	D7
Starting Motor	D8

NUMERICAL INDEX

PART NO.	GRID NO.	PART NO.	GRID NO.	PART NO.	GRID NO.	PART NO.	GRID NO.	PART NO.	GRID NO.	PART NO.	GRID NO.
50M-W1441-00	B- 7	50M-12611-00	B- 5	1MM-14610-00	B-10	50W-17670-00	C- 2	36F-22184-00	C- 7	50W-25121-02-35	C-13
50M-W1443-00	B- 7	50M-12651-00	B- 5	22F-14613-00	B-10	50W-17674-00	C- 2	50W-22210-00	C- 7	5Y1-2513A-00	C-13
50M-W247E-00	C-11	50M-12652-00	B- 5	50M-14651-00	B- 2	50W-17684-00	C- 2	164-22216-00	B-11	50W-25135-00	C-13
2YM-W247F-00	C-11	50M-12653-00	B- 5	2YM-1490J-00	B- 8	50M-21110-01	C- 4		C- 7	109-25136-00	C-13
3CK-W2470-00	C-11	50M-12654-00	B- 5	50M-14926-00	B- 8	50W-2117E-00	C- 4	4U5-2317J-00	C- 5	102-25137-00	C-14
25G-W2535-00	C-13	50M-13300-0J	B- 6	50M-14952-00	B- 8	50M-21171-00	C- 4	2YM-23310-00	C- 8	36F-25138-00	C-13
25G-W2536-01	C-15	50M-13325-00	B- 6	50M-15100-01	B-11	50W-21172-00	C- 4	50W-23317-00	C- 9	50W-25149-0J	C-13
50M-W2292-30	D-13	50M-13341-00	B- 6	50M-15112-00	B-12	50M-21243-00	C- 4	2YM-23338-00-14	C- 9	25G-25155-00	C-13
50M-Y2162-00	C- 5	50M-13342-00	B- 6	2YM-15191-00	B-13	50W-2128A-00	C- 4	2YM-23339-00-14	C- 9	36F-25159-00	C-13
50M-1111F-00	B- 4	50M-13344-00	B- 6	50M-15316-0C	B-11	55E-21308-00	C-11	50W-23350-00	C- 8		C-15
50M-11110-00	B- 2	50M-13405-00	B- 6		B-11	33M-21376-00	D- 5	50W-23361-00	C- 8	50M-25168-20-35	C-13
22F-11134-10	B- 2	22F-13411-00	B- 6	50M-15317-01	B-11	50M-2139X-00	C- 4	296-23362-09	C- 8	50W-25178-00	C-14
	B- 2	50M-13455-00	B-12	2H7-15361-00	B-12	50W-21391-00	C- 4		C- 8	5J0-25181-00	C-14
15A-11162-00	B- 2	50M-13475-00	B- 6	1R6-15363-00	C- 12	50W-21393-00	C- 4	296-23363-01	C- 8	50W-25188-00	C-14
50M-11162-00	B- 2	50M-13585-00	B- 7	4J2-15363-00	B-11	50M-2143A-00	C- 4		C- 8	109-25315-00	C-13
50M-11166-00	B-11	1XX-14105-00	B- 9	583-15371-00	B-11	50W-21471-00	C- 4	296-23364-02	C- 8	50W-25321-00	C-15
371-11167-01	B-11	5Y1-14115-00	B- 8	50M-15381-00	B-15	50M-21511-00-AJ	C- 5		C- 8	50W-2533A-00	C-15
50M-11181-00	B- 2	50M-14261-00	B- 8	50M-15411-00	B-12	50W-21511-00-GE	C- 5	19E-23371-00	C- 8	50M-25338-20-35	C-15
50M-11185-01	B- 2	30X-14286-00	B- 8	50M-15417-00	B-12	50W-21511-00-OK	C- 5	296-23372-09	C- 8	2RH-25351-00	C-15
22F-11186-00	B- 2	3KR-14301-01	B- 8	50M-15418-00	B-11	2YM-21529-00	C- 5		C- 8	3Y6-25351-00	C-13
812-11198-00	B-12	50M-14321-00	B- 8	50W-15421-00	B-11	25G-21535-00	C- 6	296-23381-01	C- 8	371-25355-02	C-15
50M-11310-00	B- 2	30X-14333-00	B- 8	50M-15431-00	B-12		D- 3		C- 8	50W-25371-00	C-14
50M-11351-00	B- 2	50M-14335-00	B- 8	50M-15449-00	B-12	2YM-21556-00	C- 5	296-23382-01	C- 8	1A1-25398-01	C-14
50M-11400-00	B- 3	2YM-14340-00	B- 8	50M-15451-00	B-12	2YM-21578-00	D- 5		C- 8	1A1-25399-00	C-14
50M-11500-00	B- 3	2YM-14341-00	B- 8	50M-15455-00	B-13	3AA-21578-20	C- 6	116-23383-00	C- 8	2M0-25399-00	C-14
50M-11610-00	B- 3	50M-14342-16	B- 8	50M-15461-00	B-11	50M-21622-00	C- 4		C- 8	50W-26110-20	D- 2
50M-11610-00	B- 3	50M-14343-54	B- 8	50M-15462-00	B-11	50W-21631-00	C- 5	50W-23383-00	C-14	50W-26143-00-AJ	D- 6
50M-11610-40	B- 3	50M-14355-00	B- 8	2YM-15470-00	B-13	50M-21642-00	C- 4	116-23384-00	C- 8	50W-26143-00-GE	D- 6
2YM-11631-00-A0	P- 3		B- 9	50M-15512-00	B-14	26H-21708-00	D- 5		C- 8	50W-26143-00-OK	D- 6
22K-11633-01	B- 3	50V-14370-01	B- 8	50M-15521-00	B-14	50W-21711-30	C- 6	122-23411-00	C- 9	50W-26145-30	D- 6
2YM-11635-00	B- 3	50M-14371-01	B- 8	50M-15524-00	B-14	50W-2171M-30	C- 6	156-23411-00	C- 8	50W-26223-00	D- 6
2YM-11638-00	B- 3	50M-14384-00	B- 8	50M-15570-01	B-14	50X-21711-00	C- 6	122-23412-00	C- 9	35R-26241-00	D- 2
50M-12111-00	B- 4	5Y1-14385-00	B- 8	50M-16111-01	B-15	50W-21717-00	C- 4	156-23412-00	C- 9	35R-26242-00	D- 2
22F-12114-00	B- 4	6E5-14386-01	B- 8	3FA-16611-02	B-15	50W-21721-10-6X	C- 6	122-23416-00	C- 9	35R-26243-0J	D- 2
22F-12116-00	B- 4	36F-14392-00	B- 8	2YM-16620-00	B-15	50W-21721-10-7X	C- 6	50M-24110-00	C-10	50M-26290-00	D- 6
22F-12117-02	B- 4	50M-14396-00	B- 8	2YM-16626-00	B-15	50W-21721-10-8X	C- 6	50W-24181-00	C- 4	50M-26290-10	D- 6
22F-12118-01	B- 4	5Y1-14397-00	B- 8	2YM-17211-00	C- 3	50W-2173T-20	C- 6	50M-24500-00	C-10	35R-26294-00	D- 6
22F-12119-01	B- 4	50M-14397-00	B- 8	2YM-17470-00	C- 3	50W-21731-10-6X	C- 6	22F-24610-01	C-10	50M-26311-01	D- 2
50M-12121-01	B- 4	50M-14398-00	B- 8	50W-17611-01	B-15	50W-21731-10-7X	C- 6	3T5-24612-02	C-10	50W-26341-00	D- 2
50M-12151-00	B- 4	50M-14420-00	B- 9	50M-17620-01	B-15	50W-21731-10-8X	C- 6	460-24723-00	C-11	50W-26351-00	D- 2
22F-12156-00	B- 4	50M-14422-00	B- 7	50M-17623-00	B-15	50M-21732-00	C- 6	2T4-24726-10	C-11	50W-2637A-00	D- 6
22F-12159-00	B- 4	50M-14451-00	B- 7	50M-1763E-01	B-15	50W-21741-30	C- 6	50W-24728-00	C-11	50W-26372-00	D- 6
50M-12170-00	B- 4	50M-14453-00	B- 7	50M-17630-00	B-15	3CV-21747-00	D- 6	2YM-24730-00	C-11	50M-26379-00	D- 2
50M-12176-00	B- 4	5TD-14457-00	B-13	50M-17632-00	B-15		D- 6	50V-24734-00	C-11	50M-27111-00	D- 3
50M-12210-00	B- 4	50M-14461-00	E-13	50W-17641-00	B-15	50W-21781-20	C- 6	1L9-24741-00	C-11	50M-27112-00	D- 3
50M-12213-00	B- 4	50M-14462-01	B- 7	50W-17653-00	B-15	50W-21781-30	C- 6	50W-2478E-00	C-11	563-27114-00	D- 3
50M-12231-00	B- 4	51Y-14462-00	B- 7	50W-17660-01	C- 2	35R-21796-00	D- 5	50X-24819-10	C-11	50W-27151-00	D- 3
50M-12241-00	B- 4	50M-14472-00	B- 7	50W-17664-00	C- 2	50W-22110-00	C- 7	2YM-24842-00	C-11	50M-27211-00	D- 2

NUMERICAL INDEX

PART NO.	GRID NO.	PART NO.	GRID NO.	PART NO.	GRID NO.	PART NO.	GRID NO.	PART NO.	GRID NO.	PART NO.	GRID NO.
50W-27212-06	D-3	50W-82552-30	D-14	34M-84714-00	D-12	90170-05302	B-4	90387-155J0	C-7	92501-06010	B-15
50W-27285-00	D-3	3KR-82566-00	E-2	36Y-84714-40	D-12	90170-12181	D-7	90387-166L7	B-15		B-15
50M-27311-00	D-4	3KR-82590-01	D-14	25G-84721-01	D-12	90170-12338	C-2	90401-10035	C-8	92501-06014	B-2
50W-27412-00	D-3	50W-8331E-00	D-9	32H-84723-00	D-12	90170-36333	B-15	90430-06014	B-4		C-11
50W-27422-00	D-3	50W-83310-00	D-9	25G-84742-00	D-12	90171-12042	C-14	90445-07370	C-10		C-11
50W-27481-30	D-3	50W-83312-00	D-9	25G-84743-01	D-12	90175-06013	D-2	90445-08336	D-14	92501-06020	B-5
50W-27483-30	D-3	32H-83313-00	D-9	4G1-84744-00	D-10	90175-06019	D-2	90445-09059	B-9		B-7
50W-27486-00-AJ	D-3		D-9	25G-84747-01	C-12	90179-14427	B-15	90445-10308	C-10		B-12
50W-27486-00-GE	D-3	50W-83313-00	D-9	50W-85752-00	E-2	90179-25033	C-9	90446-07112	B-11		B-13
50W-27486-00-GK	D-3		D-9	5G3-85753-00	E-2	90185-14124	C-15	90460-45222	B-7		D-14
50W-27487-00-AJ	D-3	50W-8332E-00	D-9	90101-06278	C-13	90201-06M02	D-4	90460-56105	B-7	92501-06025	B-5
50W-27487-00-GE	D-3	50W-83320-00	D-9	90101-06291	C-15	90201-060H9	D-5	90464-06053	D-14	92503-06018	B-5
50W-27487-00-GK	D-3	50W-83322-00	D-9	90101-06576	B-10	90201-06412	B-15	90467-09006	C-10	92506-06012	D-14
50M-28100-00	D-5	50W-83330-00	D-9	90101-08590	B-4	90201-067J4	C-5	90467-14015	B-11	92701-06015	B-11
50W-28311-00-AJ	D-5	32H-83331-00	D-9	90102-10059	C-14	90201-07076	C-13	90480-12053	B-10		C-12
50W-28311-00-GE	D-5		D-9	90105-08256	C-7	90201-080L7	B-2	90480-12237	B-12	92701-06025	B-6
50W-28311-00-GK	D-5		D-9	90105-08324	B-2	90201-08087	B-11	90480-13018	D-6	92901-04600	B-15
50W-28312-30	D-5		D-9	90105-10393	D-2	90201-08326	B-4	90480-301F7	B-5	92901-05600	B-7
50W-28313-30	D-5	25G-83332-00	D-9	90105-12228	C-4	90201-08403	B-6	90501-503A3	C-2		D-6
50W-28321-00	D-5	50W-83340-00	D-9	90109-06504	C-11	90201-08795	C-7	90506-06279	B-5		D-11
50M-2834J-00	D-5	25G-83342-00	D-9	90109-08607	C-9	90201-105J4	B-14	90506-17328	C-13	92901-06200	D-2
50W-2834V-00	D-5	34L-83350-20	D-14	90109-10473	D-4	90201-14411	D-4		C-15	92901-06600	B-5
20H-28349-A0	D-5	34Y-83371-00	D-14	90119-05071	E-2	90201-153H0	C-3	90506-20158	D-4		B-12
50W-2835U-30	D-5	3KR-83509-00	D-10	90119-06018	C-4	90201-163F8	B-14	90506-20193	D-3		C-11
50W-28371-01	D-5	3KR-83510-00	D-10		C-6	90201-174R5	B-11	90506-20308	D-3		C-11
3CV-28378-00	D-6	50W-83515-00	D-10		D-3	90201-20276	C-15	90508-26616	C-13		D-8
50M-81410-10	D-7	50W-83550-01	D-10		D-5	90201-244J3	C-13	90508-26653	C-15	92901-08500	C-4
2YM-81450-00	D-7	56J-83922-00	D-13	90119-08128	C-15	90202-06010	C-10	90560-12261	C-13		C-11
2YM-81800-00	D-8	25G-83936-00	D-14	90149-05121	D-13	90208-15037	C-3	91311-06016	B-4	92901-10100	C-8
50M-81801-M0	D-8	25G-83936-01	D-14	90149-06607	C-6	90209-12259	C-14	91311-06110	B-2	92901-12100	D-7
50M-81828-M0	D-8	437-83936-01	D-14	90149-06011	C-10	90214-04038	B-15	91316-06012	B-4	92901-12200	D-3
50M-81836-M0	D-8	437-83936-11	D-14	90149-06184	C-6	90215-14236	C-2	91316-06020	B-7	92906-06100	D-15
50W-81940-10	D-14	50W-83973-30	D-13		C-6	90240-06108	D-2		B-12	92990-05100	D-11
50M-81950-00	D-14	50W-83975-30	D-13	90149-06228	D-14	90249-12008	D-2		B-12	92990-06100	B-5
36F-81960-A0	D-14	50W-83980-00	D-13	90155-08002	C-8	90267-40054	D-4	91316-06025	B-12		C-11
1JE-82110-60	D-14	50Y-84303-40	D-11	90157-04088	B-15		D-5	91316-06035	B-12		D-8
50W-82115-00	D-14	50Y-84320-40	D-11	90157-05079	E-2	90267-40073	D-5		B-12		D-14
50W-82121-00	D-14	34L-84332-60	D-11	90159-03102	D-10	30280-03017	B-3		B-12	92990-06600	B-10
50W-82129-00	D-14	50W-84333-00	D-11	90159-05089	D-6	90338-05056	B-7	91316-06060	B-11		D-14
2UJ-82150-00	D-14	50W-84334-00	D-11		D-6	90340-36098	B-12		B-12	92990-08100	B-10
148-82151-00	D-14	34L-84346-00	D-11	90159-06013	D-5	90337-060U2	C-4	91316-08050	C-11		C-9
2YM-82205-00	D-14	4E2-84347-00	D-11	90159-06071	C-5	90337-061F8	C-4	91401-20015	C-14	92990-08200	C-1
25G-82310-10	E-2	341-84393-40	D-11		C-6	90387-087L0	B-12		D-2	92990-12600	D-7
3AD-82341-00	E-2	50W-84394-00	D-11	90164-04008	D-3	90387-100L5	B-14	91401-20025	D-3	93101-23127	B-15
33M-82370-01	E-2	50W-84395-00	D-11	90167-05015	C-6	90387-100L9	C-14	91401-25020	D-3	93102-17235	C-13
50M-82372-00	E-2	46X-84396-00	D-11		D-9	90387-101H3	C-14	91401-30030	C-14	93102-19276	D-7
50M-82501-30	D-14	2E9-84524-00	D-12	90167 05016	C-6	90387-120L7	C-14	91490-20025	C-15	93102-22294	B-11
50W-82530-01	E-2	51F-84710-41	D-12		D-5	90387-120L8	C-13	91609-30014	B-6	93102-22335	B-15

NUMERICAL INDEX

PART NO.	GRID NO.	PART NO.	GRID NO.	PART NO.	GRID NO.	PART NO.	GRID NO.	PART NO.	GRID NO.	PART NO.	GRID NO.
93102-25334	C- 3	93700-04002	C-14	97780-40120	B- 7						
93102-47297	C-13	93700-06004	C- 8	97780-40130	D- 9						
93104-07003	C-13	93900-00010	C-14		D- 9						
93104-41091	C- 2		C-15	97780-50120	D- 9						
93109-28043	C- 7	94110-103T4	C-15	97780-60116	D- 9						
93210-07540	B-11	94110-103T5	C-13		D- 9						
93210-08006	B- 6	94580-25092	B- 4	97802-06020	D- 7						
93210-10673	B-12	94701-00283	B- 2	98501-04008	B- 8						
93210-14104	B-11	95301-10700	D- 4	98501-04050	D-11						
	C-14	95303-06600	C-13	98501-05012	D- 2						
93210-15639	B-11	95303-08700	C- 9	98501-05040	D- 6						
93210-16314	D-12		C- 9	98503-04014	B- 8						
93210-19123	B-12	95303-10700	C- 8	98503-05025	B- 7						
93210-23326	C-13	95306-06800	C- 5	98506-05012	D-13						
93210-25711	D- 8	95306-08600	C- 7		D-13						
93210-27672	B- 7	95380-06800	D- 5	98506-05020	D-13						
93210-36510	B-13	95601-05100	D-13		D-13						
93210-43713	C- 2	95601-12200	C- 4	98511-04012	B- 8						
93210-44704	B- 2	95611-10100	C-14	98901-04010	D-13						
93210-50582	B- 6	95701-05500	C- 4		D-13						
93210-53679	B- 2	95701-06500	B-10	98903-06012	C- 9						
93210-55669	D- 8		C- 4	99001-10600	B- 6						
93210-63556	B- 2		C- 6	99009-17400	B-11						
93210-71462	B-11		C-11	99009-22400	B-15						
93210-97690	B-15		C-11	99510-10114	B- 2						
93211-08563	D- 7		D- 5		B- 2						
93306-00314	B-14		D-14	99510-12016	B-11						
93306-00433	B-15	95702-08500	C-11	99530-10014	B-12						
93306-20113	C-13	95801-06012	C- 4		B-12						
93306-20213	C- 7	95801-06016	C- 4		B-12						
93306-20215	B- 3	95801-08016	B-11		B-12						
93306-20336	B- 3	95811-06012	C-10								
93306-20460	C- 3	95811-06016	C- 4								
93306-30101	C- 3	95811-08016	D- 3								
93306-30109	C-13	95811-08035	D- 3								
93315-11040	B-14	95821-06030	C- 4								
93315-42536	C- 3	95821-08020	C- 7								
93399-99918	B-15	95826-06010	C-11								
93410-24042	C-13	97001-06020	E- 2								
93440-10109	B- 2	97001-06025	D- 8								
93450-14088	B- 3		D-14								
93450-35015	B-14	97013-06012	C-11								
93501-04011	C- 9	97313-06045	D- 3								
93503-16010	C- 9	97313-08016	B-10								
93605-18078	B-11		C- 4								
93700-04002	C- 8		C-11								
	C- 8	97706-40512	D- 5								
	C-14		D-12								